

# Technical Information

GRP26 D



AQUAFIX BELGIUM BVBA  
Tel. 013 66 83 03, WWW.AQUAFIX.BE



AQUAFIX MILIEU B.V.  
Tel. 0297 26 29 29, WWW.AQUAFIX.NL

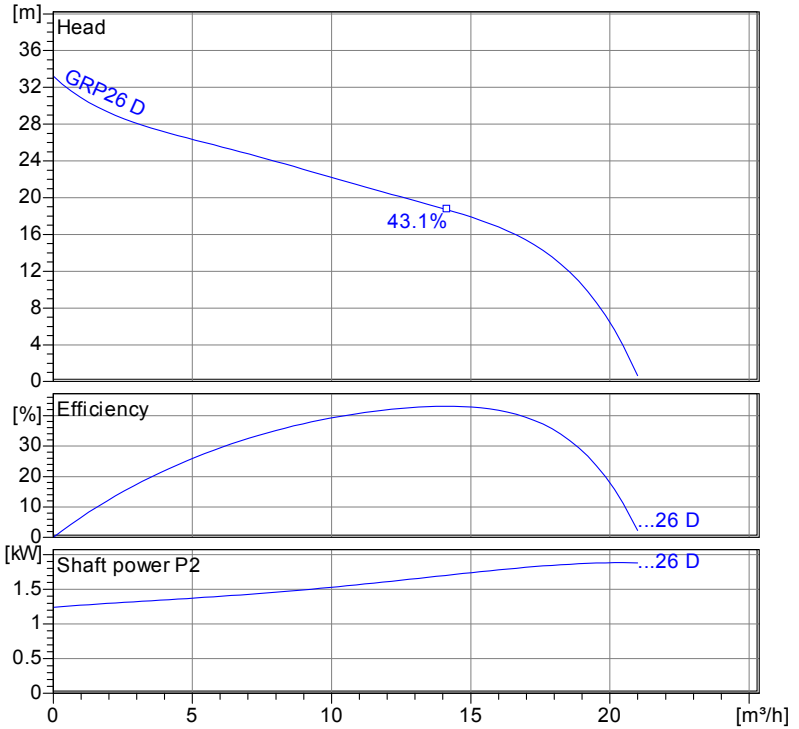
<b>Operating data</b>	
Flow	0 m <sup>3</sup> /h
Head	0 m
Shaft power P2	
Pump efficiency	s %
Required pump NPSH	
Pumpe type	Single head pump
No. of pumps	1
Fluid	Water, clean

<b>Pump</b>	
Pump Code	GRP26 D
Impeller	Vane impeller with cutter sys.
Impeller size	160 mm
Solid size	s
Discharge port	R 2" AG
Suction port	s

<b>Motor</b>	
Rated voltage	400 V
Frequency	50 Hz
Rated power P2	1.9 kW
Rated speed	2900 rpm
Number of poles	2
Efficiency	76 %
Rated current	4.4 A
Degree of protection	IP 68

<b>Materials</b>	
Motor housing	Grey cast iron GG25
Motor bearing cover	Grey cast iron EN-GJL-250
Pump housing	Grey cast iron GG25
Impeller	Grey cast iron GG25
Cutting system	Stainless steel 1.4122
Motor shaft	Stainless steel 1.4104
O-Rings	Nitrile Rubber
Bolts	Stainless steel
Mechanical seal on medium side	SiC / SiC
Mechanical seal on motor side	SiC / SiC
Lower Bearing	Double row angular ball bearing
Upper Bearing	Deep Groove Ball Bearing

Testnorm: ISO9906 Sect. 4.4.2



Wet well installation with coupling kit GRP20-26  
Dimensions in mm,

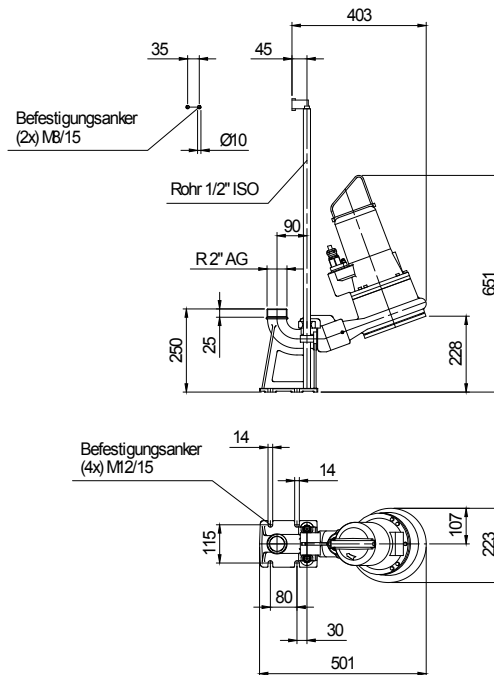


Table Dimensions ( mm )

2.3.7 - 14/03/2012 (Build 345)

Project	Project no.:	Created by:	Page: 1
---------	--------------	-------------	------------

# Performance Curve

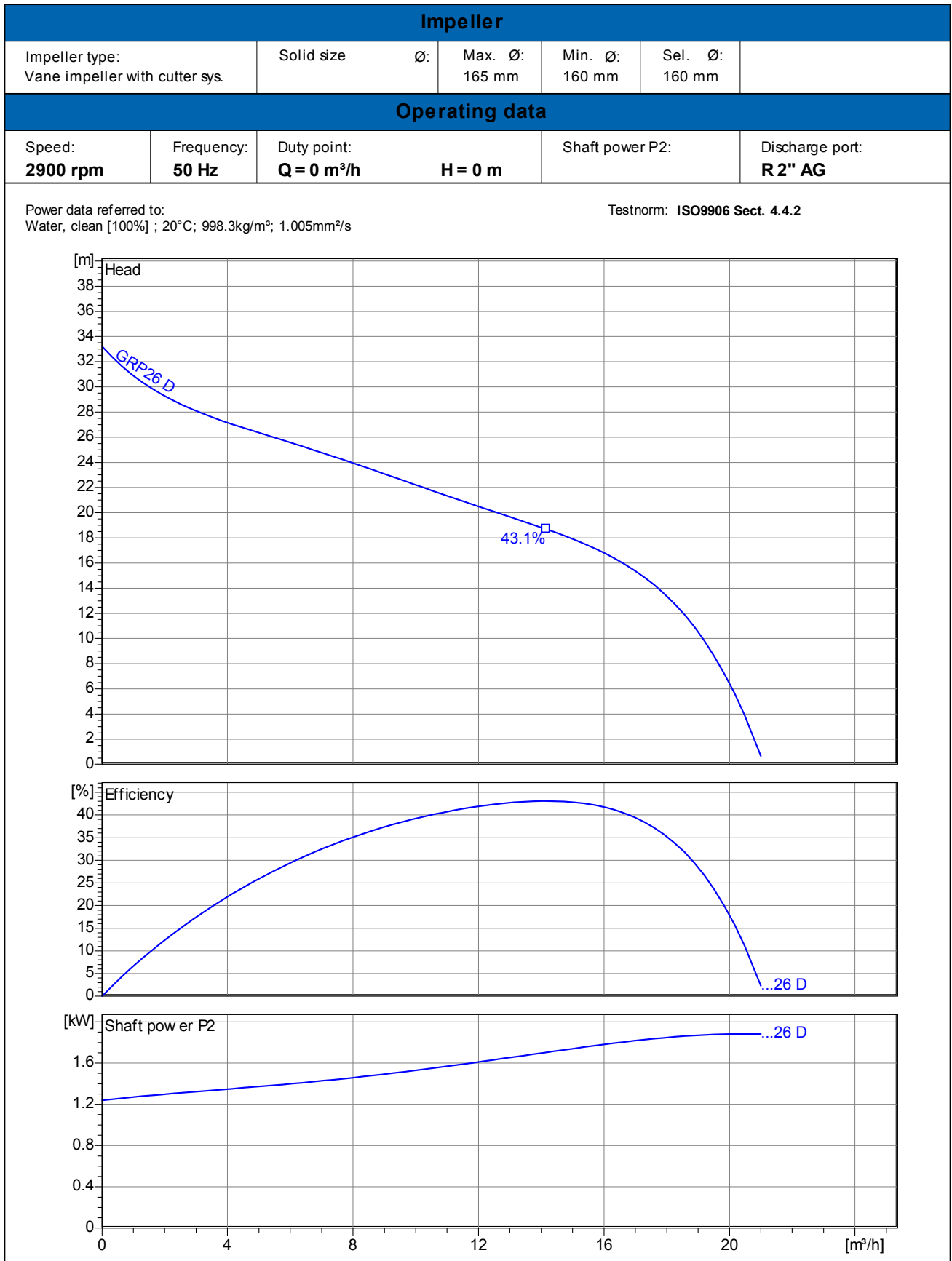
GRP26 D



AQUAFIX BELGIUM BVBA  
Tel. 013 66 83 03, WWW.AQUAFIX.BE



AQUAFIX MILIEU B.V.  
Tel. 0297 26 29 29, WWW.AQUAFIX.NL



2.3.7 - 14/03/2012 (Build 345)

Project	Project no.:	Created by:	Page: 2
---------	--------------	-------------	------------

# Dimensions

GRP26 D



AQUAFIX BELGIUM BVBA  
Tel. 013 66 83 03, WWW.AQUAFIX.BE



AQUAFIX MILIEU B.V.  
Tel. 0297 26 29 29, WWW.AQUAFIX.NL

Wet well installation with coupling kit GRP20-26  
Dimensions in mm, le

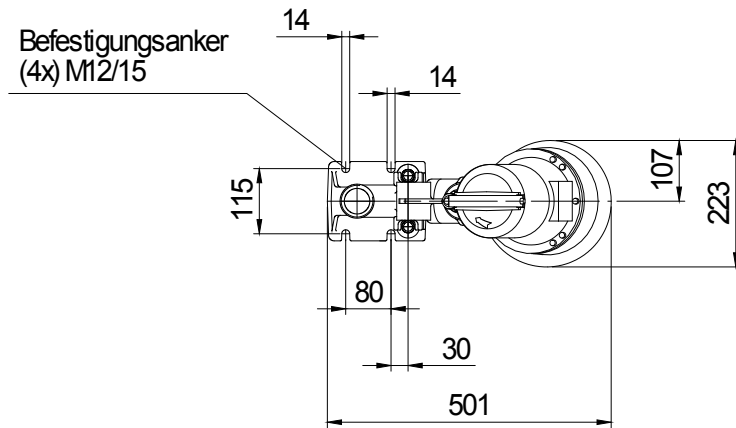
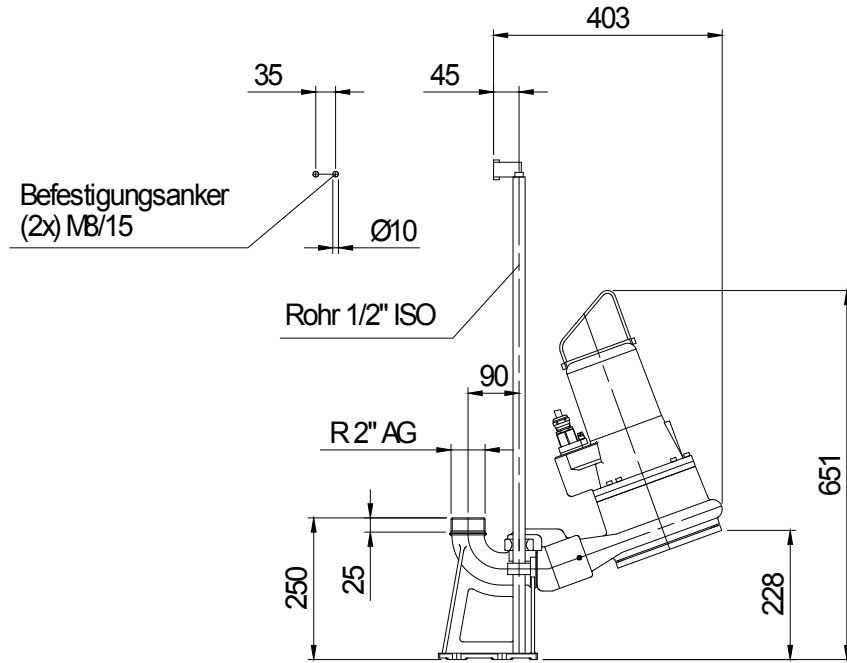


Table Dimensions ( mm )

--	--	--

2.3.7 - 14/03/2012 (Build 345)

# Technical Data

GRP26 D



AQUAFIX BELGIUM BVBA  
Tel. 013 66 83 03, WWW.AQUAFIX.BE



AQUAFIX MILIEU B.V.  
Tel. 0297 26 29 29, WWW.AQUAFIX.NL

Operating data					
Flow	0 m <sup>3</sup> /h	m <sup>3</sup> /h	Head	0	m
Shaft power P2		kW	Geodetic head	0	m
Pump efficiency	s	%	Required pump NPSH		m
Pumpe type	Single head pump		No. of pumps	1	
Fluid	Water, clean		Temperature	20 °C	
Density	998.3	kg/m <sup>3</sup>	Kin. viscosity	1.005	mm <sup>2</sup> /s

Pump					
Pump Code	GRP26 D		Speed	2900	rpm
Suction port			Head	Max.	33.2 m
Discharge port	R 2" AG			Min.	0.7 m
Impeller type	Vane impeller with cutter s		Flow	Max.	21.0 m <sup>3</sup> /h
Solid size		mm	Pump efficiency max.	43.1 %	
Impeller Ø	160	mm	Required rated power max. P2	1.9	kW

Motor					
Motor version	Submersible motor		Insulation class	H	
Motor name	AM 122.2,6/2 D		Degree of protection	IP 68	
Frequency	50	Hz	Temperature class		
Rated power P1	2.5	kW			
Rated power P2	1.9	kW	Explosion protection		
Rated speed	2900	rpm	Efficiency at % rated power	100%	76 %
Rated voltage	400	V 3~		75%	74 %
Rated current	4.4	A		50%	71 %
Starting current, direct starting	26.4	A	cos phi at % rated power	100%	0.83
Starting current, star-delta	8.	A		75%	0,77
Starting mode	Directly			50%	0,71
Power cable	7G1,5		Control cable		
Type of power cable	H07RN-F		Type of control cable		
Cable length	10 m		Service factor	1.15	
Shaft seal	Mechanical seal on medium side		SiC / SiC		
	Mechanical seal on motor side		SiC / SiC		
Bearing	Lower Bearing		Double row angular ball bearing		
	Upper Bearing		Deep Groove Ball Bearing		
Remarks	s				

Materials / Weight			
Motor housing	Grey cast iron GG25	Motor shaft	Stainless steel 1.4104
Pump housing	Grey cast iron GG25	Bolts	Stainless steel
Motor bearing cover	Grey cast iron EN-GJL-250	O-Rings	Nitrile Rubber
Impeller	Grey cast iron GG25		
Cutting system	Stainless steel 1.4122		
Weight aggregat	33 kg		

Project	Project no.:	Created by:	Page: 4
---------	--------------	-------------	------------