

Technical Information

GRP26 W



AQUAFIX BELGIUM BVBA
Tel. 013 66 83 03, WWW.AQUAFIX.BE



AQUAFIX MILIEU B.V.
Tel. 0297 26 29 29, WWW.AQUAFIX.NL

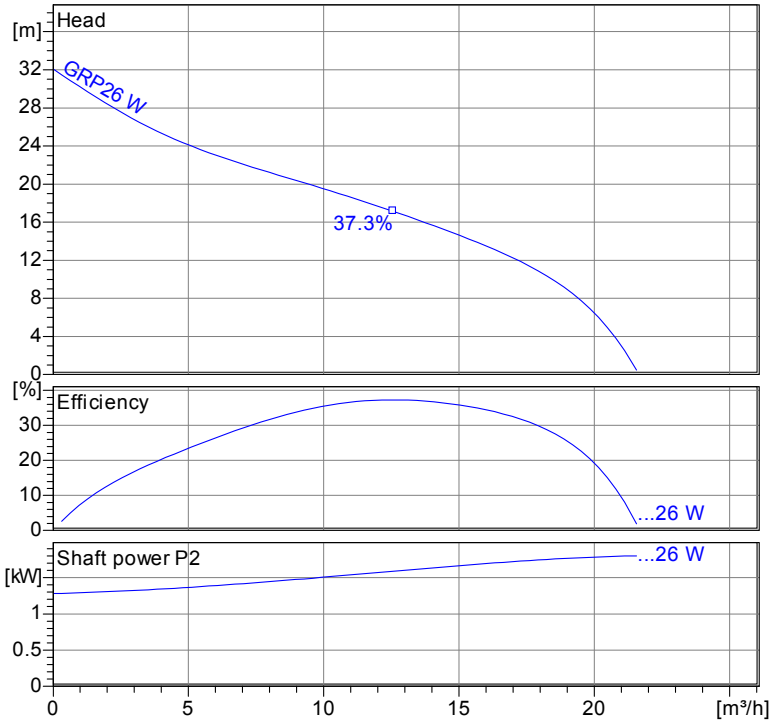
Operating data	
Flow	0 m ³ /h
Head	0 m
Shaft power P2	
Pump efficiency	s %
Required pump NPSH	
Pumpe type	Single head pump
No. of pumps	1
Fluid	Water, clean

Pump	
Pump Code	GRP26 W
Impeller	Vane impeller with cutter sys.
Impeller size	160 mm
Solid size	s
Discharge port	R 2" AG
Suction port	s

Motor	
Rated voltage	230 V
Frequency	50 Hz Hz
Rated power P2	1.8 kW
Rated speed	2900 rpm
Number of poles	2
Efficiency	71 % %
Rated current	11.5 A
Degree of protection	IP 68

Materials	
Motor housing	Grey cast iron GG25
Motor bearing cover	Grey cast iron EN-GJL-250
Pump housing	Grey cast iron GG25
Impeller	Grey cast iron GG25
Cutting system	Stainless steel 1.4122
Motor shaft	Stainless steel 1.4104
O-Rings	Nitrile Rubber
Bolts	Stainless steel
Mechanical seal on medium side	SiC / SiC
Mechanical seal on motor side	SiC / SiC
Lower Bearing	Double row angular ball bearing
Upper Bearing	Deep Groove Ball Bearing

Testnorm: ISO9906 Sect. 4.4.2



Wet well installation with coupling kit GRP20-26
Dimensions in mm,

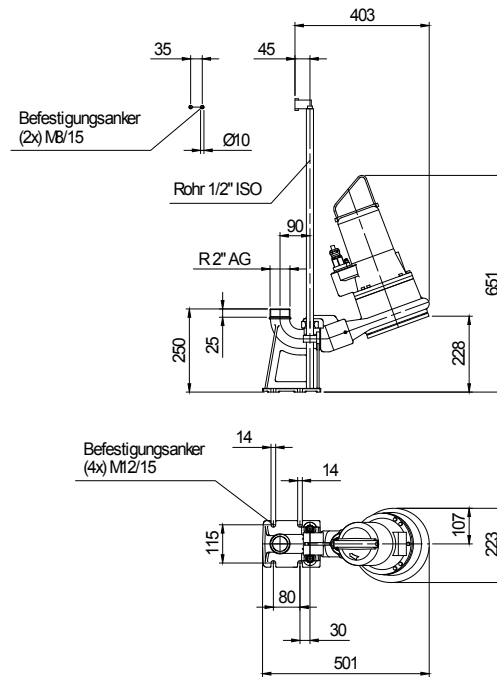


Table Dimensions (mm)

2.3.7 - 14/03/2012 (Build 345)

Project	Project no.:	Created by:	Page: 1
---------	--------------	-------------	------------

Performance Curve

GRP26 W



AQUAFIX BELGIUM BVBA
Tel. 013 66 83 03, WWW.AQUAFIX.BE



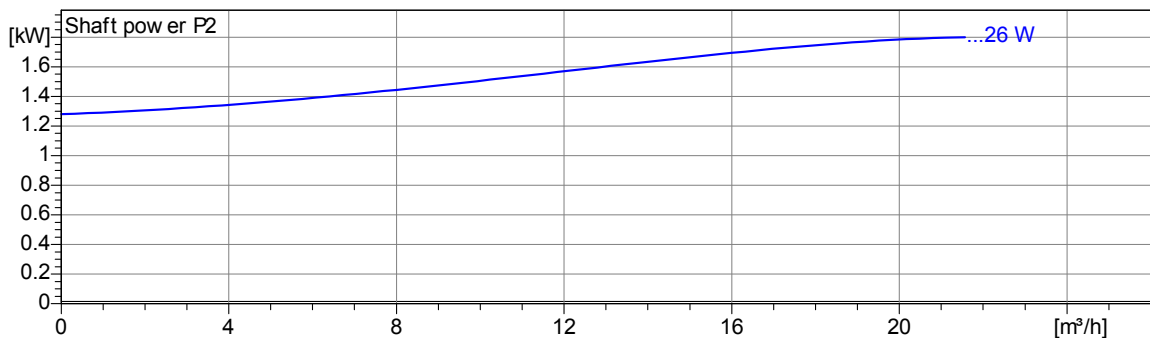
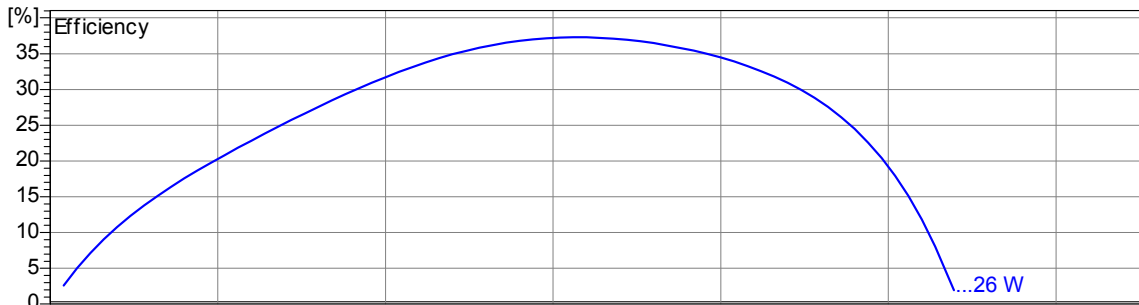
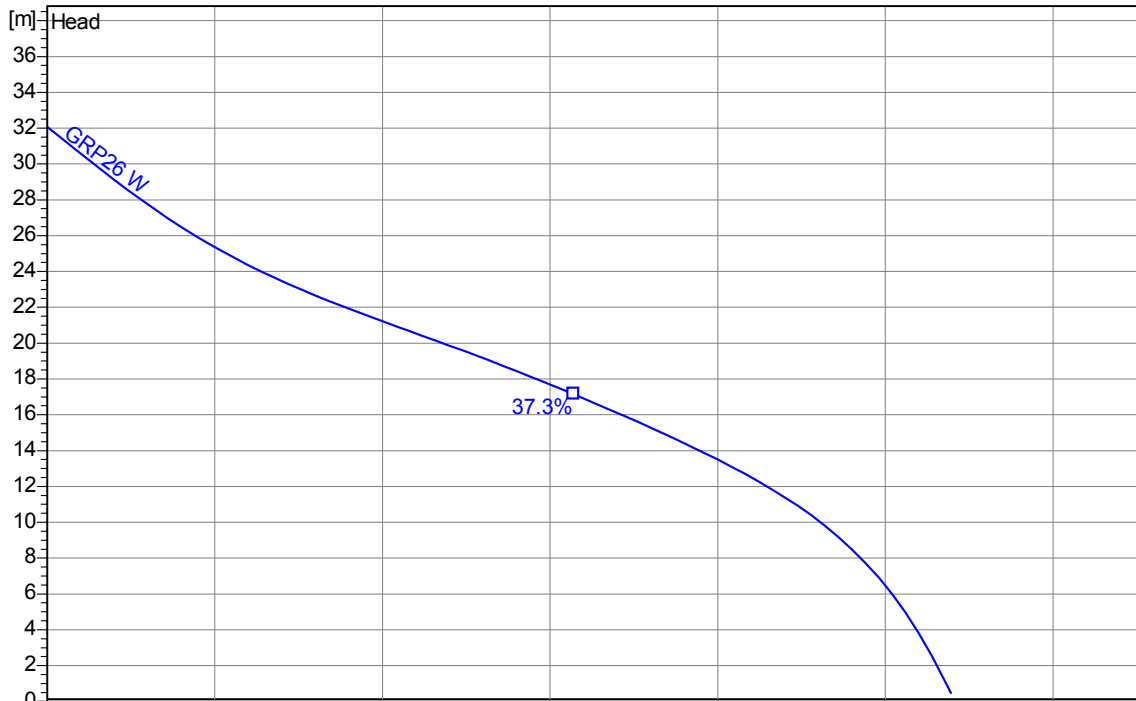
AQUAFIX MILIEU B.V.
Tel. 0297 26 29 29, WWW.AQUAFIX.NL

Impeller						
Impeller type: Vane impeller with cutter sys.	Solid size	Ø:	Max. Ø: 165 mm	Min. Ø: 160 mm	Sel. Ø: 160 mm	

Operating data					
Speed: 2900 rpm	Frequency: 50 Hz	Duty point: Q = 0 m³/h	H = 0 m	Shaft power P2:	Discharge port: R 2" AG

Power data referred to:
Water, clean [100%]; 20°C; 998.3kg/m³; 1.005mm²/s

Testnorm: ISO9906 Sect. 4.4.2



2.3.7 - 14/03/2012 (Build 345)

Project	Project no.:	Created by:	Page: 2
---------	--------------	-------------	------------

Dimensions

GRP26 W



AQUAFIX BELGIUM BVBA
Tel. 013 66 83 03, WWW.AQUAFIX.BE



AQUAFIX MILIEU B.V.
Tel. 0297 26 29 29, WWW.AQUAFIX.NL

Wet well installation with coupling kit GRP20-26
Dimensions in mm, le

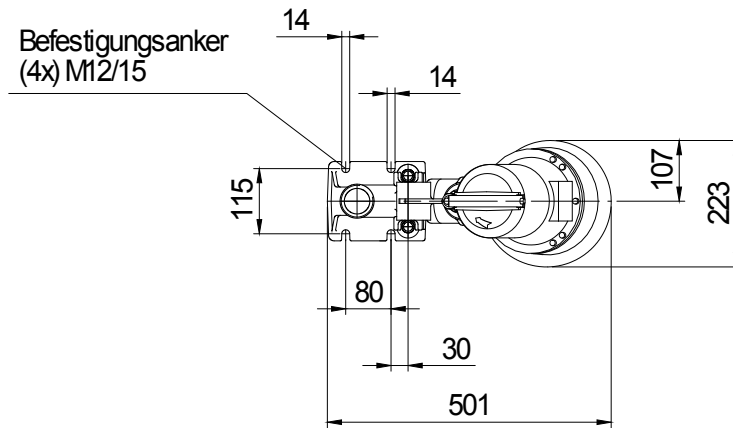
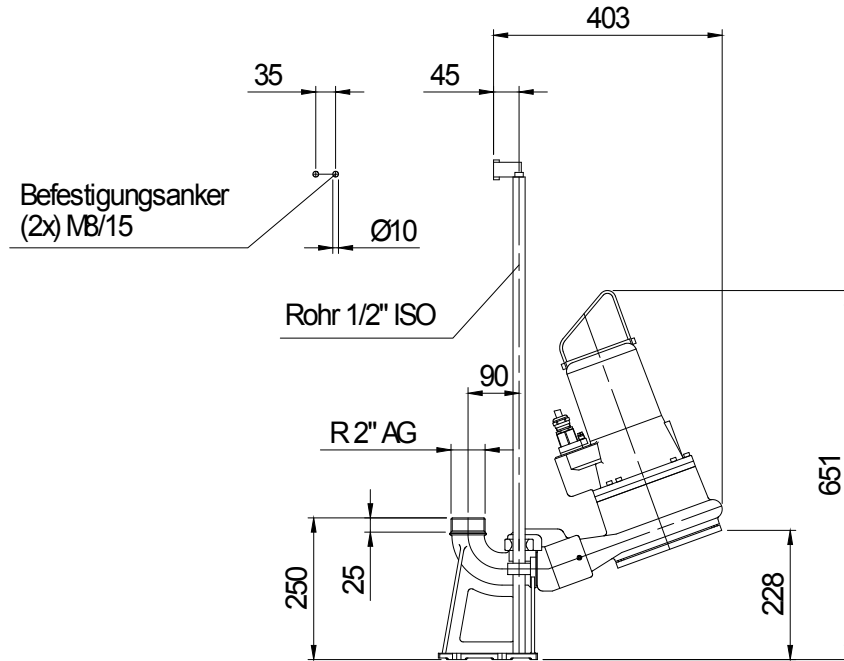


Table Dimensions (mm)

--	--	--

2.3.7 - 14/03/2012 (Build 345)

Technical Data

GRP26 W



AQUAFIX BELGIUM BVBA
Tel. 013 66 83 03, WWW.AQUAFIX.BE



AQUAFIX MILIEU B.V.
Tel. 0297 26 29 29, WWW.AQUAFIX.NL

Operating data					
Flow	0 m ³ /h	m ³ /h	Head	0	m
Shaft power P2		kW	Geodetic head	0	m
Pump efficiency	s	%	Required pump NPSH		m
Pumpe type	Single head pump		No. of pumps	1	
Fluid	Water, clean		Temperature	20 °C	
Density	998.3	kg/m ³	Kin. viscosity	1.005	mm ² /s

Pump					
Pump Code	GRP26 W		Speed	2900	rpm
Suction port			Head	Max.	32.1 m
Discharge port	R 2" AG			Min.	0.5 m
Impeller type	Vane impeller with cutter s		Flow	Max.	21.6 m ³ /h
Solid size		mm	Pump efficiency max.	37.3 %	
Impeller Ø	160	mm	Required rated power max. P2	1.8	kW

Motor					
Motor version	Submersible motor		Insulation class	H	
Motor name	AM 122.2,4/2 W		Degree of protection	IP 68	
Frequency	50	Hz	Temperature class		
Rated power P1	2.5	kW			
Rated power P2	1.8	kW	Explosion protection		
Rated speed	2900	rpm	Efficiency at % rated power	100%	71 %
Rated voltage	230	V 1~		75%	68 %
Rated current	11.5	A		50%	62 %
Starting current, direct starting	69.0	A	cos phi at % rated power	100%	0.94
Starting current, star-delta	23	A		75%	0.86
Starting mode	Directly			50%	0.82
Power cable	7G1,5		Control cable		
Type of power cable	H07RN-F		Type of control cable		
Cable length	10 m		Service factor	1.15	
Shaft seal	Mechanical seal on medium side		SiC / SiC		
	Mechanical seal on motor side		SiC / SiC		
Bearing	Lower Bearing		Double row angular ball bearing		
	Upper Bearing		Deep Groove Ball Bearing		
Remarks	Start-/ Runcapacitor: 100µF / 50µF				

Materials / Weight			
Motor housing	Grey cast iron GG25	Motor shaft	Stainless steel 1.4104
Pump housing	Grey cast iron GG25	Bolts	Stainless steel
Motor bearing cover	Grey cast iron EN-GJL-250	O-Rings	Nitrile Rubber
Impeller	Grey cast iron GG25		
Cutting system	Stainless steel 1.4122		
Weight aggregat	33 kg		

Project	Project no.:	Created by:	Page: 4
---------	--------------	-------------	------------