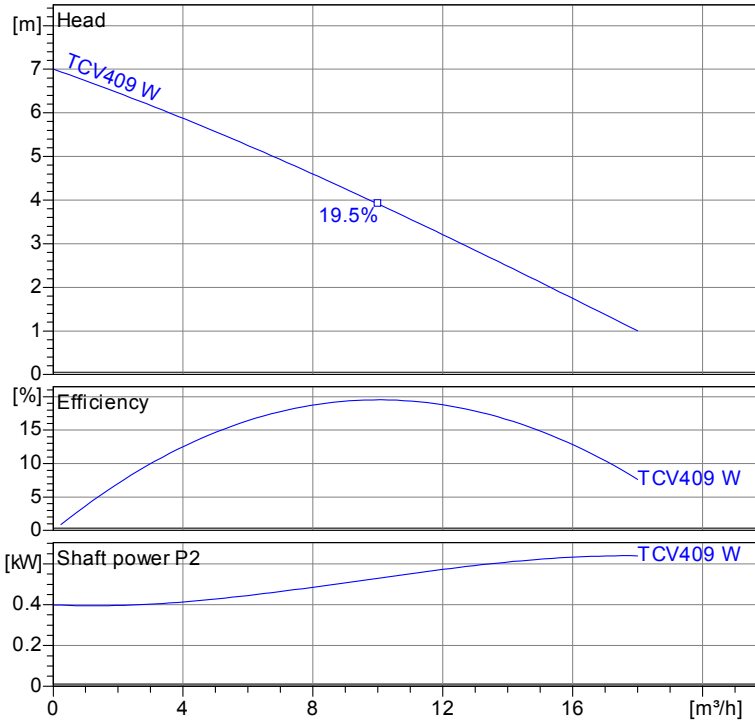


Technical Information

TCV409 W

Operating data	
Flow	0 m³/h
Head	0 m
Shaft power P2	
Pump efficiency	s %
Required pump NPSH	
Pumpe type	Single head pump
No. of pumps	1
Fluid	Water, clean
Pump	
Pump Code	TCV409 W
Impeller	Vortex impeller
Impeller size	0 mm
Solid size	35 mm
Discharge port	R 2" IG
Suction port	s
Motor	
Rated voltage	230 V
Frequency	50 Hz
Rated power P2	0.6 kW
Rated speed	2900 rpm
Number of poles	2
Efficiency	67 %
Rated current	3.9 A
Degree of protection	IP 68
Materials	
Suction strainer	Stainless steel 1.4301
Pump housing	Stainless steel 1.4301
Motor housing	Stainless steel 1.4301
Impeller	Stainless steel 1.4301
Motor shaft	Stainless steel 1.4305
Bolts	Stainless steel
O-Rings	Nitrile Rubber
Mechanical seal	Carbon/graphite/ chrome steel
Lip seal on motor side	Nitrile Rubber
Lower Bearing	Deep Groove Ball Bearing
Upper Bearing	Deep Groove Ball Bearing

Testnorm: ISO9906 Sect. 4.4.2



Nassaufstellung mit Kupplungssystem (TCV409)
 Dimensions in mm,

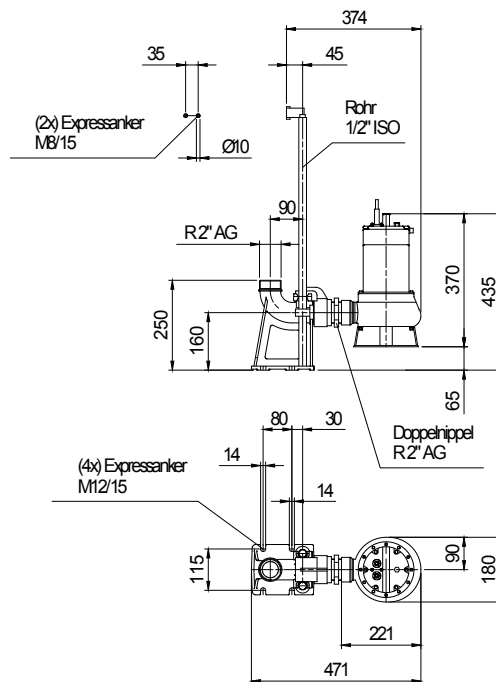


Table Dimensions (mm)

2.3.7 - 14/03/2012 (Build 345)

Performance Curve

TCV409 W



AQUAFIX BELGIUM BVBA
Tel. 013 66 83 03, WWW.AQUAFIX.BE



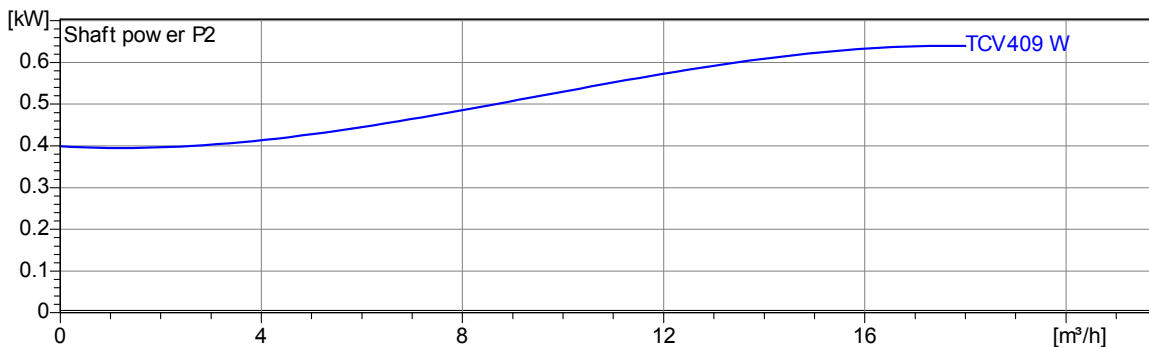
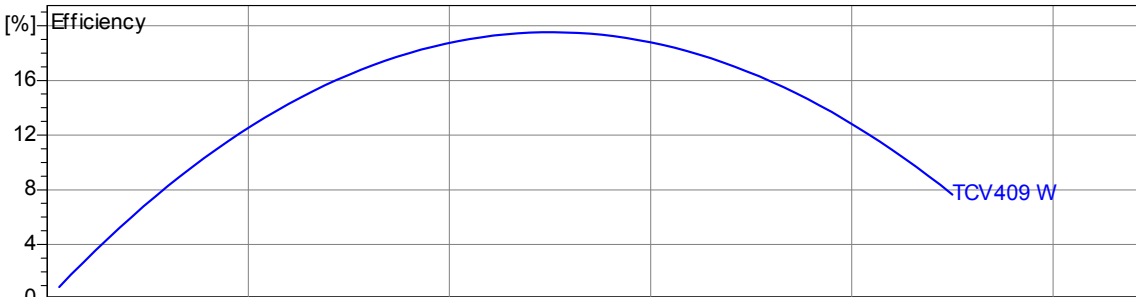
AQUAFIX MILIEU B.V.
Tel. 0297 26 29 29, WWW.AQUAFIX.NL

Impeller						
Impeller type: Vortex impeller	Solid size 35 mm	Ø:	Max. Ø: 110 mm	Min. Ø: 0 mm	Sel. Ø: 0 mm	

Operating data					
Speed: 2900 rpm	Frequency: 50 Hz	Duty point: Q = 0 m³/h	H = 0 m	Shaft power P2:	Discharge port: R 2" IG

Power data referred to:
Water, clean [100%]; 20°C; 998.3kg/m³; 1.005mm²/s

Testnorm: ISO9906 Sect. 4.4.2



2.3.7 - 14/03/2012 (Build 345)

Project	Project no.:	Created by:	Page: 2
---------	--------------	-------------	------------

Dimensions

TCV409 W



AQUAFIX BELGIUM BVBA
Tel. 013 66 83 03, WWW.AQUAFIX.BE



AQUAFIX MILIEU B.V.
Tel. 0297 26 29 29, WWW.AQUAFIX.NL

Nassaufstellung mit Kupplungssystem (TCV409)
Dimensions in mm, le

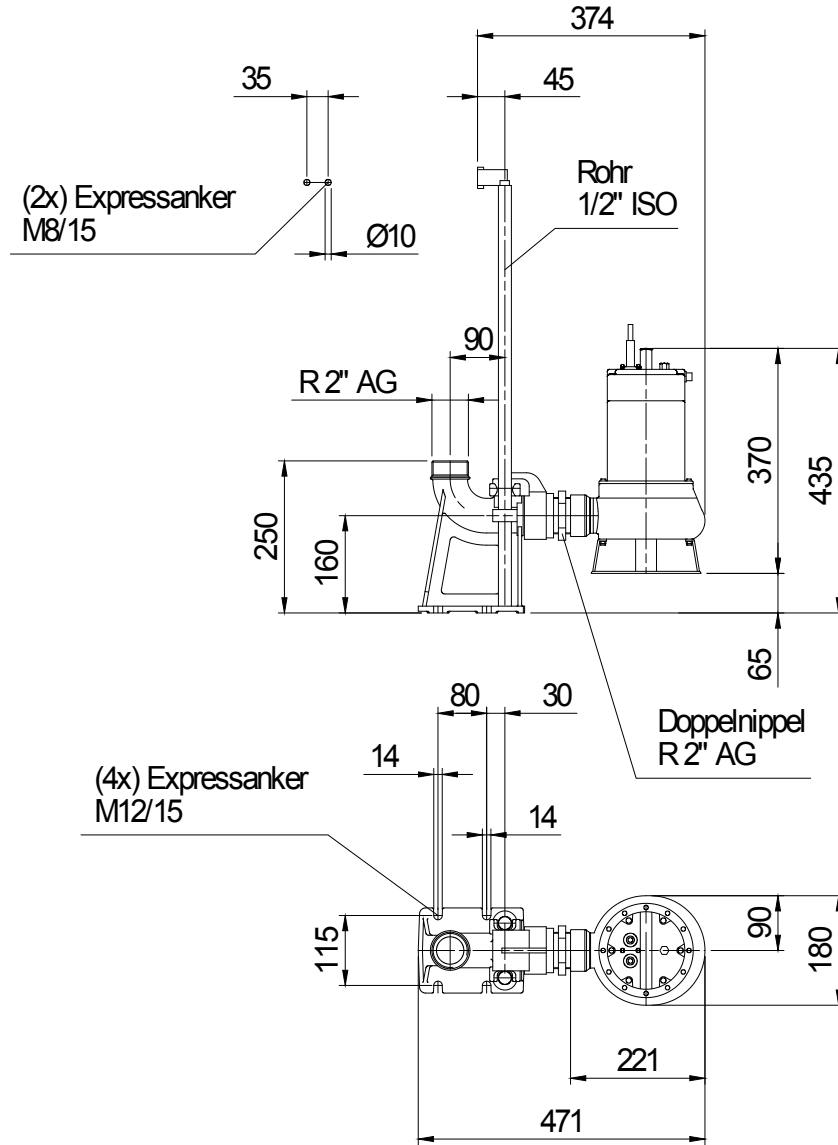


Table Dimensions (mm)

--	--	--

2.3.7 - 14/03/2012 (Build 345)

Technical Data

TCV409 W



AQUAFIX BELGIUM BVBA
Tel. 013 66 83 03, WWW.AQUAFIX.BE



AQUAFIX MILIEU B.V.
Tel. 0297 26 29 29, WWW.AQUAFIX.NL

Operating data					
Flow	0 m ³ /h	m ³ /h	Head	0	m
Shaft power P2		kW	Geodetic head	0	m
Pump efficiency	s	%	Required pump NPSH		m
Pumpe type	Single head pump		No. of pumps	1	
Fluid	Water, clean		Temperature	20 °C	
Density	998.3	kg/m ³	Kin. viscosity	1.005	mm ² /s

Pump					
Pump Code	TCV409 W		Speed	2900	rpm
Suction port			Head	Max.	7.0 m
Discharge port	R 2" IG			Min.	1.0 m
Impeller type	Vortex impeller		Flow	Max.	18.0 m ³ /h
Solid size	35	mm	Pump efficiency max.	19.5 %	
Impeller Ø	0	mm	Required rated power max. P2	0.6	kW

Motor					
Motor version	Submersible motor		Insulation class	F	
Motor name	AM 0,9/2 W		Degree of protection	IP 68	
Frequency	50	Hz	Temperature class		
Rated power P1	0.9	kW			
Rated power P2	0.6	kW	Explosion protection		
Rated speed	2900	rpm	Efficiency	100%	67 %
Rated voltage	230	V 1~	at % rated power	75%	%
Rated current	3.9	A		50%	%
Starting current, direct starting	23.4	A	cos phi	100%	1.00
Starting current, star-delta	7.	A	at % rated power	75%	
Starting mode	Directly			50%	
Power cable	3G1		Control cable		
Type of power cable	H07RN-F		Type of control cable		
Cable length	10 m		Service factor	1.15	
Shaft seal	Mechanical seal on medium side		Carbon graphite/ chrome steel		
	Lip seal on motor side		Nitrile Rubber		
Bearing	Lower Bearing		Deep Groove Ball Bearing		
	Upper Bearing		Deep Groove Ball Bearing		
Remarks	s				

Materials / Weight			
Suction strainer	Stainless steel 1.4301	Bolts	Stainless steel
Motor housing	Stainless steel 1.4301	O-Rings	Nitrile Rubber
Pump housing	Stainless steel 1.4301		
Impeller	Stainless steel 1.4301		
Motor shaft	Stainless steel 1.4305		
Weight aggregat	10 kg		

Project	Project no.:	Created by:	Page: 4
---------	--------------	-------------	------------