

Technical Information

TP50M11/2 D



AQUAFIX BELGIUM BVBA
Tel. 013 66 83 03, WWW.AQUAFIX.BE



AQUAFIX MILIEU B.V.
Tel. 0297 26 29 29, WWW.AQUAFIX.NL

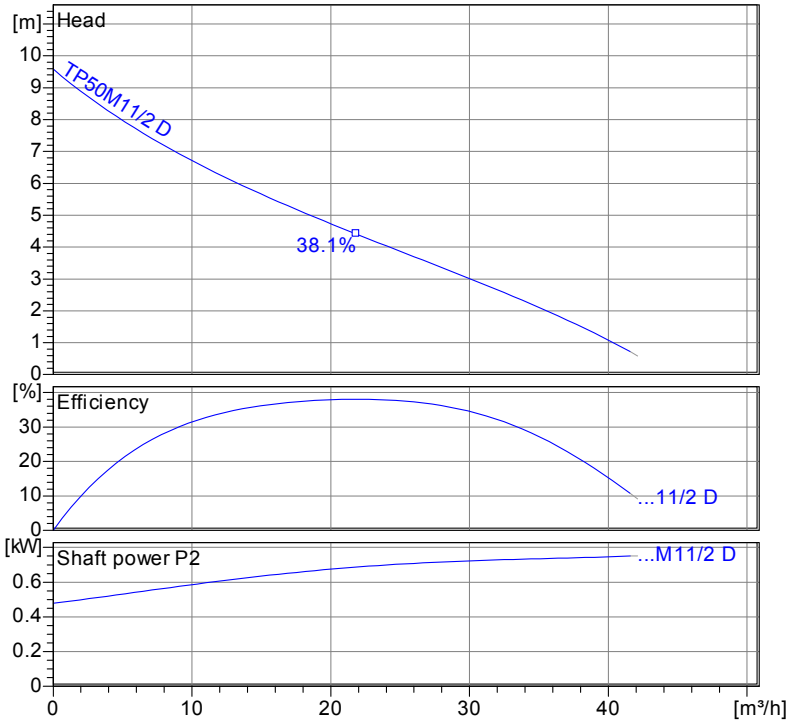
Operating data	
Flow	0 m ³ /h
Head	0 m
Shaft power P2	
Pump efficiency	s %
Required pump NPSH	
Pumpe type	Single head pump
No. of pumps	1
Fluid	Water, clean

Pump	
Pump Code	TP50M11/2 D
Impeller	Single vane impeller
Impeller size	88 mm
Solid size	50 mm
Discharge port	R 2 1/2" AG
Suction port	s

Motor	
Rated voltage	400 V
Frequency	50 Hz
Rated power P2	0.8 kW
Rated speed	2900 rpm
Number of poles	2
Efficiency	76 %
Rated current	1.9 A
Degree of protection	IP 68

Materials	
Motor housing	Grey cast iron GG25
Impeller	Grey cast iron EN-GJL-250
Pump housing	Grey cast iron GG25
Wear ring	Bronze
Motor shaft	Stainless steel 1.4104
Bolts	Stainless steel
O-Rings	Nitrile Rubber
Mechanical seal on medium side	SiC / SiC
Lip seal on motor side	Nitrile Rubber
Lower Bearing	Deep Groove Ball Bearing
Upper Bearing	Deep Groove Ball Bearing

Testnorm: ISO9906 Sect. 4.4.2



Wet well installation with coupling kit (M12...17)
Dimensions in mm,

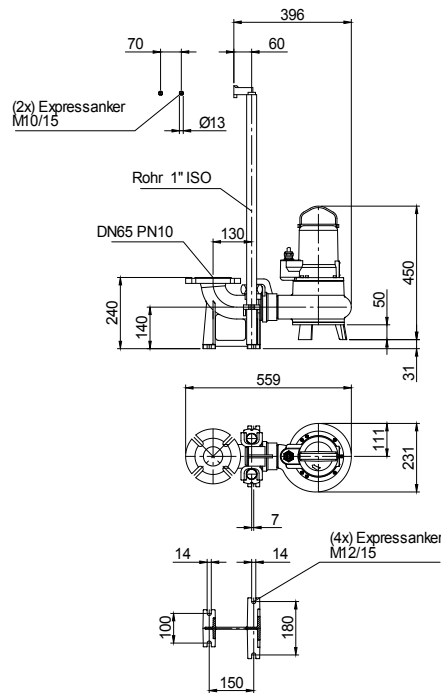


Table Dimensions (mm)

Project	Project no.:	Created by:	Page: 1
---------	--------------	-------------	------------

Performance Curve

TP50M11/2 D

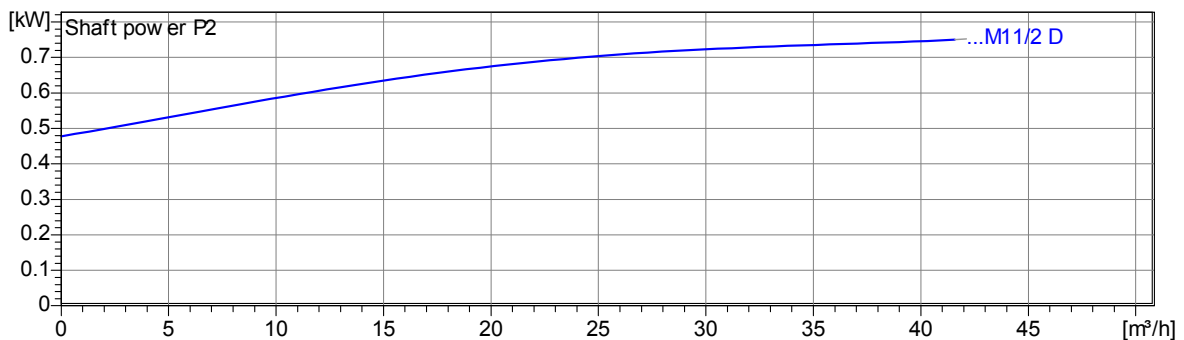
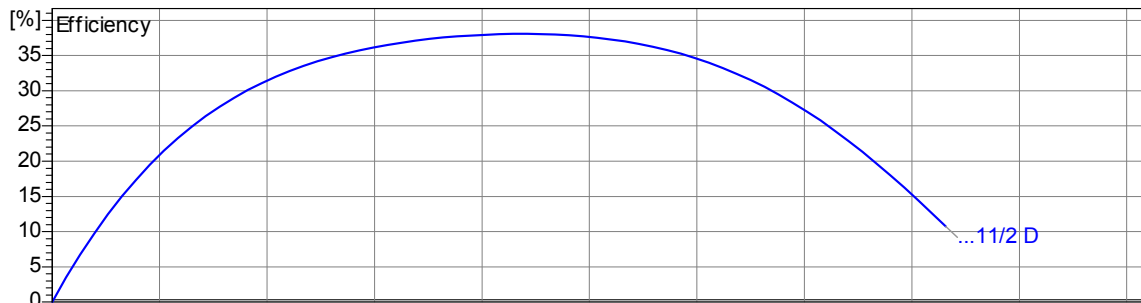


Impeller						
Impeller type: Single vane impeller	Solid size 50 mm	Ø:	Max. Ø: 102 mm	Min. Ø: 88 mm	Sel. Ø: 88 mm	

Operating data					
Speed: 2900 rpm	Frequency: 50 Hz	Duty point: Q = 0 m³/h	H = 0 m	Shaft power P2:	Discharge port: R 2 ½" AG

Power data referred to:
Water, clean [100%]; 20°C; 998.3kg/m³; 1.005mm²/s

Testnorm: ISO9906 Sect. 4.4.2



2.3.7 - 14/03/2012 (Build 345)

Project	Project no.:	Created by:	Page: 2
---------	--------------	-------------	------------

Dimensions

TP50M11/2 D



AQUAFIX BELGIUM BVBA
Tel. 013 66 83 03, WWW.AQUAFIX.BE



AQUAFIX MILIEU B.V.
Tel. 0297 26 29 29, WWW.AQUAFIX.NL

Wet well installation with coupling kit (M12...17)
Dimensions in mm, le

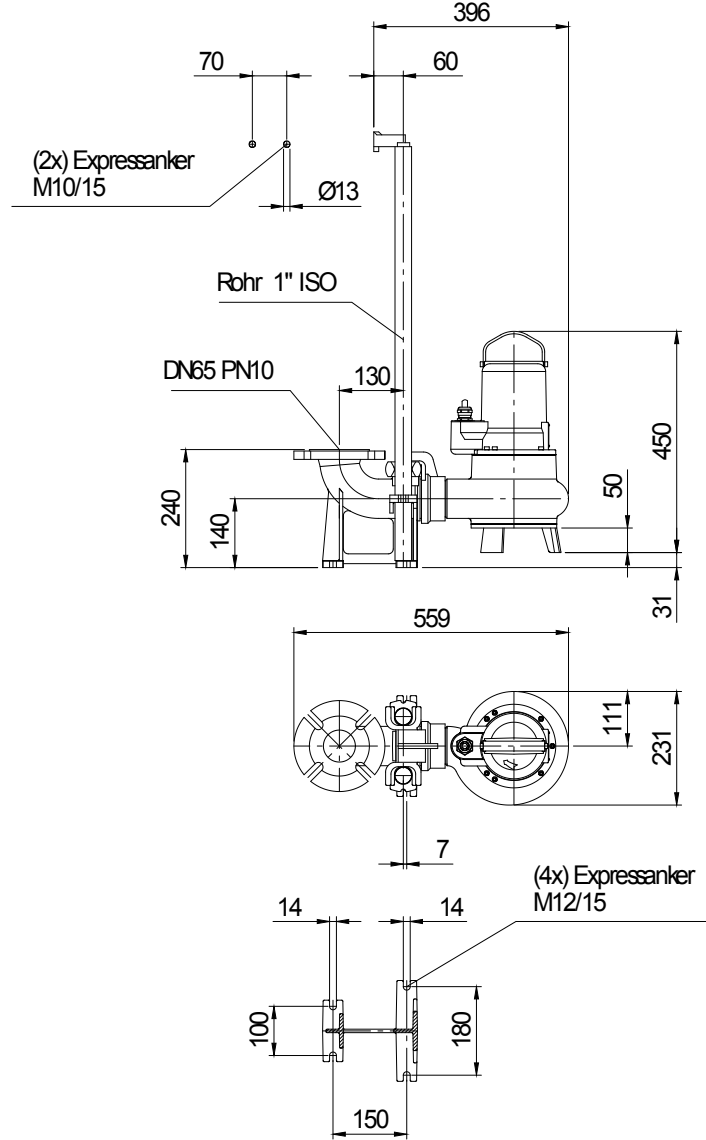


Table Dimensions (mm)

--	--	--

2.3.7 - 14/03/2012 (Build 345)

Project	Project no.:	Created by:	Page: 3
---------	--------------	-------------	------------

Technical Data

TP50M11/2 D



AQUAFIX BELGIUM BVBA
Tel. 013 66 83 03, WWW.AQUAFIX.BE



AQUAFIX MILIEU B.V.
Tel. 0297 26 29 29, WWW.AQUAFIX.NL

Operating data				
Flow	0 m ³ /h	m ³ /h	Head	0 m
Shaft power P2		kW	Geodetic head	0 m
Pump efficiency	s	%	Required pump NPSH	m
Pumpe type	Single head pump		No. of pumps	1
Fluid	Water, clean		Temperature	20 °C
Density	998.3	kg/m ³	Kin. viscosity	1.005 mm ² /s

Pump				
Pump Code	TP50M11/2 D		Speed	2900 rpm
Suction port			Head	Max. 9.6 m
Discharge port	R 2 1/2" AG			Min. 0.7 m
Impeller type	Single vane impeller		Flow	Max. 41.6 m ³ /h
Solid size	50	mm	Pump efficiency max.	38.1 %
Impeller Ø	88	mm	Required rated power max. P2	0.8 kW

Motor				
Motor version	Submersible motor		Insulation class	H
Motor name	AM 120TM.1,2/2 D		Degree of protection	IP 68
Frequency	50	Hz	Temperature class	
Rated power P1	1.0	kW		
Rated power P2	0.8	kW	Explosion protection	
Rated speed	2900	rpm	Efficiency	100% 76 %
Rated voltage	400	V 3~	at % rated power	75% %
Rated current	1.9	A		50% %
Starting current, direct starting	11.4	A		100% 0.78
Starting current, star-delta	3.	A	cos phi	75%
Starting mode	Directly		at % rated power	50%
Power cable	4G1,5		Control cable	
Type of power cable	H07RN-F		Type of control cable	
Cable length	10 m		Service factor	1.15
Shaft seal	Mechanical seal on medium side		SiC / SiC	
	Lip seal on motor side		Nitrile Rubber	
Bearing	Lower Bearing		Deep Groove Ball Bearing	
	Upper Bearing		Deep Groove Ball Bearing	
Remarks	s			

Materials / Weight			
Motor housing	Grey cast iron GG25	Bolts	Stainless steel
Pump housing	Grey cast iron GG25	O-Rings	Nitrile Rubber
Impeller	Grey cast iron EN-GJL-250		
Wear ring	Bronze		
Motor shaft	Stainless steel 1.4104		
Weight aggregat	On demand kg		

Project	Project no.:	Created by:	Page: 4
---------	--------------	-------------	------------

2.3.7 - 14/03/2012 (Build 345)