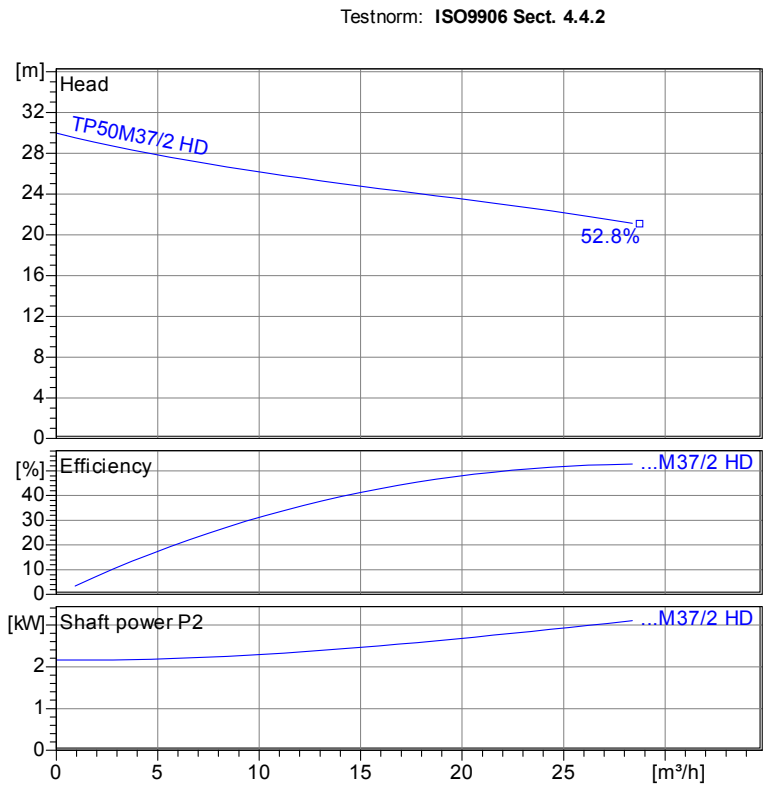


Technical Information

TP50M37/2 HD

Operating data	
Flow	0 m³/h
Head	0 m
Shaft power P2	
Pump efficiency	s %
Required pump NPSH	
Pumpe type	Single head pump
No. of pumps	1
Fluid	Water, clean
Pump	
Pump Code	TP50M37/2 HD
Impeller	Single vane impeller
Impeller size	145 mm
Solid size	50 mm
Discharge port	R 2 ½" AG
Suction port	s
Motor	
Rated voltage	400 V
Frequency	50 Hz
Rated power P2	3.1 kW
Rated speed	2900 rpm
Number of poles	2
Efficiency	84 %
Rated current	6.5 A
Degree of protection	IP 68
Materials	
Motor housing	Grey cast iron GG25
Impeller	Grey cast iron EN-GJL-250
Pump housing	Grey cast iron GG25
Wear ring	Bronze
Motor shaft	Stainless steel 1.4104
Bolts	Stainless steel
O-Rings	Nitrile Rubber
Mechanical seal on medium side	SiC / SiC
Mechanical seal on motor side	SiC / SiC
Lower Bearing	Double row angular ball bearing
Upper Bearing	Deep Groove Ball Bearing



Wet well installation with coupling kit (M37)
 Dimensions in mm,

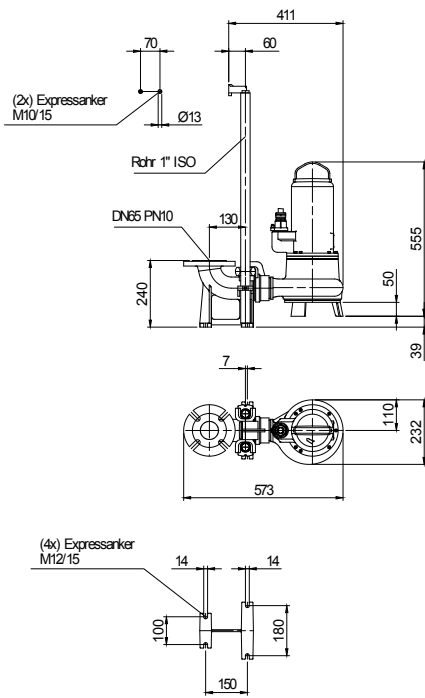


Table Dimensions (mm)

2.3.7 - 14/03/2012 (Build 345)

Project	Project no.:	Created by:	Page: 1
---------	--------------	-------------	------------

Performance Curve

TP50M37/2 HD



AQUAFIX BELGIUM BVBA
Tel. 013 66 83 03, WWW.AQUAFIX.BE



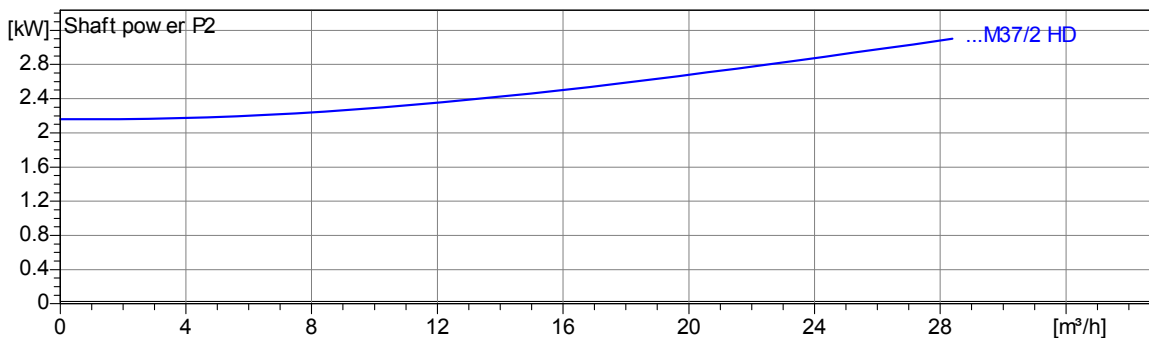
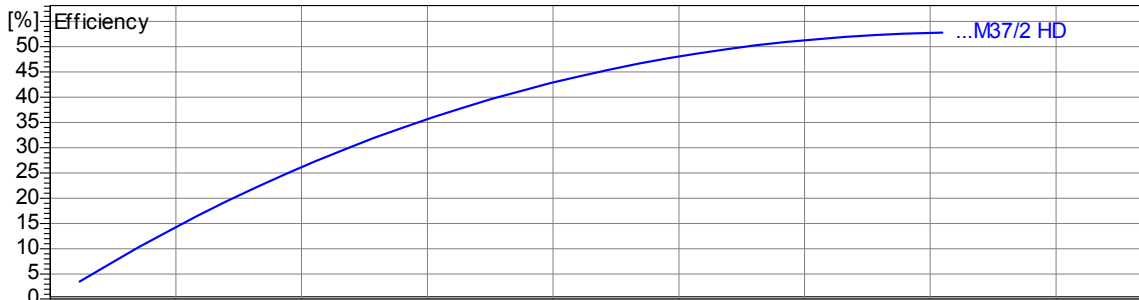
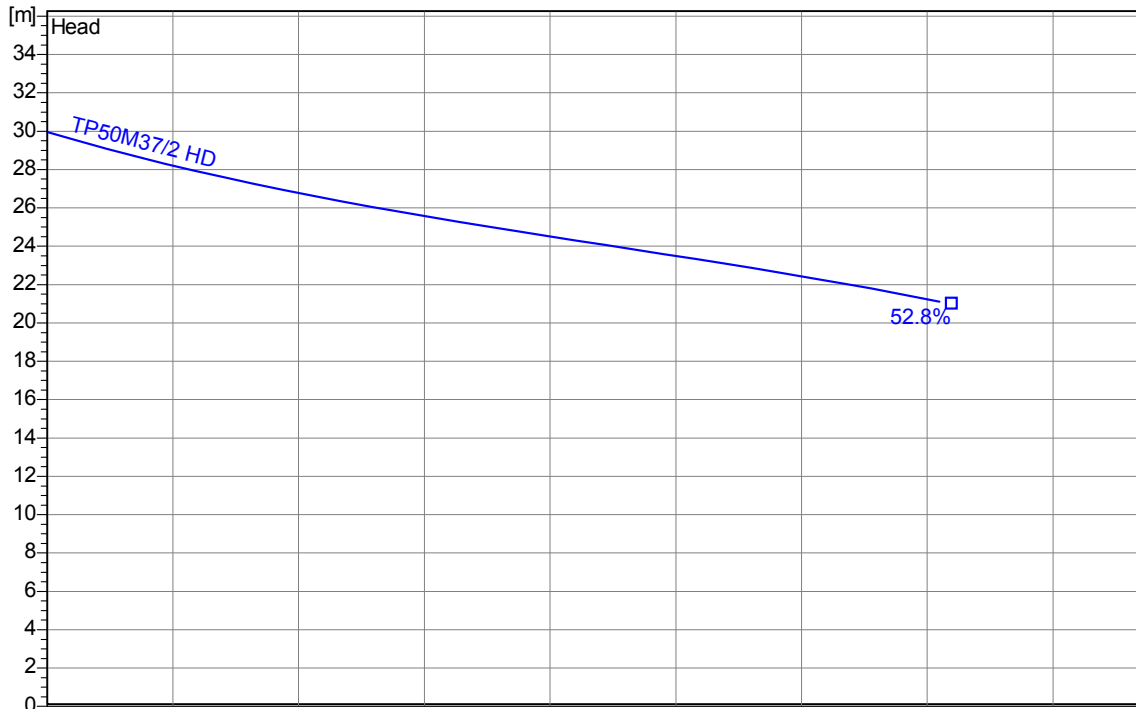
AQUAFIX MILIEU B.V.
Tel. 0297 26 29 29, WWW.AQUAFIX.NL

Impeller						
Impeller type: Single vane impeller	Solid size 50 mm	Ø:	Max. Ø: 145 mm	Min. Ø: 114 mm	Sel. Ø: 145 mm	

Operating data					
Speed: 2900 rpm	Frequency: 50 Hz	Duty point: Q = 0 m³/h	H = 0 m	Shaft power P2:	Discharge port: R 2 ½" AG

Power data referred to:
Water, clean [100%]; 20°C; 998.3kg/m³; 1.005mm²/s

Testnorm: ISO9906 Sect. 4.4.2



2.3.7 - 14/03/2012 (Build 345)

Project	Project no.:	Created by:	Page: 2
---------	--------------	-------------	------------

Dimensions

TP50M37/2 HD



AQUAFIX BELGIUM BVBA
Tel. 013 66 83 03, WWW.AQUAFIX.BE



AQUAFIX MILIEU B.V.
Tel. 0297 26 29 29, WWW.AQUAFIX.NL

Wet well installation with coupling kit (M37)
Dimensions in mm, le

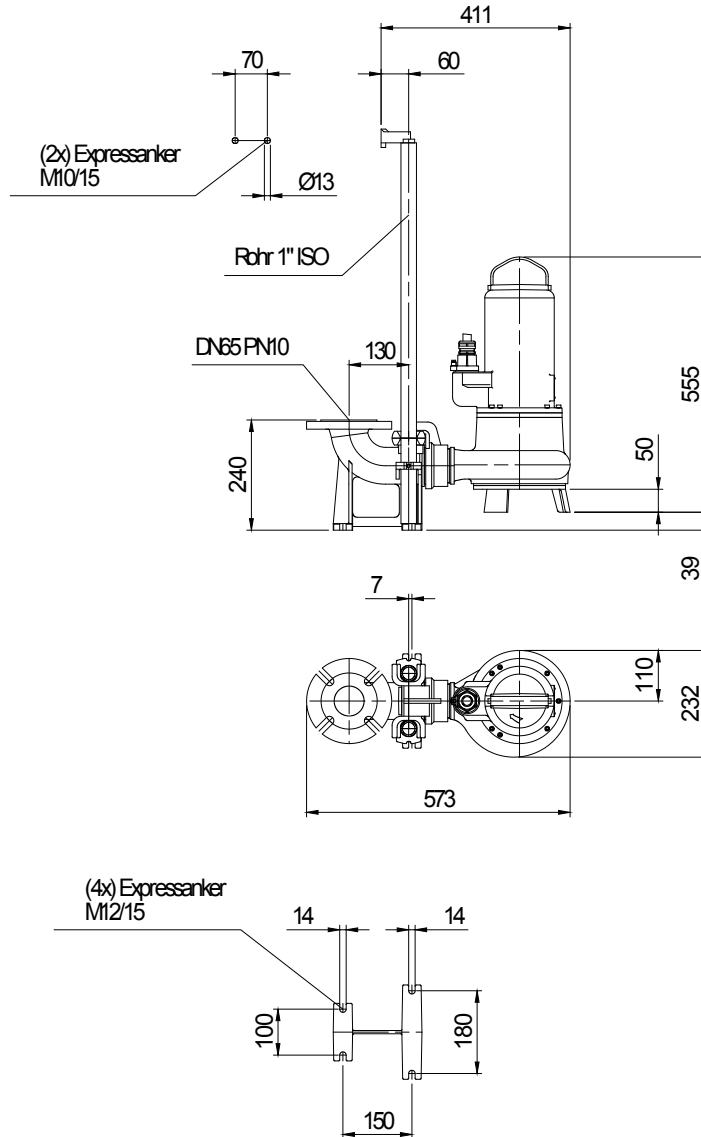


Table Dimensions (mm)

--	--	--

2.3.7 - 14/03/2012 (Build 345)

Project	Project no.:	Created by:	Page: 3
---------	--------------	-------------	------------

Technical Data

TP50M37/2 HD



AQUAFIX BELGIUM BVBA
Tel. 013 66 83 03, WWW.AQUAFIX.BE



AQUAFIX MILIEU B.V.
Tel. 0297 26 29 29, WWW.AQUAFIX.NL

Operating data					
Flow	0 m ³ /h	m ³ /h	Head	0	m
Shaft power P2		kW	Geodetic head	0	m
Pump efficiency	s	%	Required pump NPSH		m
Pumpe type	Single head pump		No. of pumps	1	
Fluid	Water, clean		Temperature	20 °C	
Density	998.3	kg/m ³	Kin. viscosity	1.005	mm ² /s

Pump					
Pump Code	TP50M37/2 HD		Speed	2900	rpm
Suction port			Head	Max.	30.0 m
Discharge port	R 2 1/2" AG			Min.	21.1 m
Impeller type	Single vane impeller		Flow	Max.	28.4 m ³ /h
Solid size	50	mm	Pump efficiency max.	52.8 %	
Impeller Ø	145	mm	Required rated power max. P2	3.1	kW

Motor					
Motor version	Submersible motor		Insulation class	H	
Motor name	AM 136.4,0/2 D		Degree of protection	IP 68	
Frequency	50	Hz	Temperature class		
Rated power P1	3.7	kW			
Rated power P2	3.1	kW	Explosion protection		
Rated speed	2900	rpm	Efficiency	100%	84 %
Rated voltage	400	V 3~	at % rated power	75%	%
Rated current	6.5	A		50%	%
Starting current, direct starting	39.0	A	cos phi	100%	0.80
Starting current, star-delta	13	A	at % rated power	75%	
Starting mode	Directly			50%	
Power cable	4G1,5		Control cable		
Type of power cable	H07RN-F		Type of control cable		
Cable length	10 m		Service factor	1.15	
Shaft seal	Mechanical seal on medium side		SiC / SiC		
	Mechanical seal on motor side		SiC / SiC		
Bearing	Lower Bearing		Double row angular ball bearing		
	Upper Bearing		Deep Groove Ball Bearing		
Remarks	s				

Materials / Weight			
Motor housing	Grey cast iron GG25	Bolts	Stainless steel
Pump housing	Grey cast iron GG25	O-Rings	Nitrile Rubber
Impeller	Grey cast iron EN-GJL-250		
Wear ring	Bronze		
Motor shaft	Stainless steel 1.4104		
Weight aggregat	45 kg		

Project	Project no.:	Created by:	Page: 4
---------	--------------	-------------	------------

2.3.7 - 14/03/2012 (Build 345)