

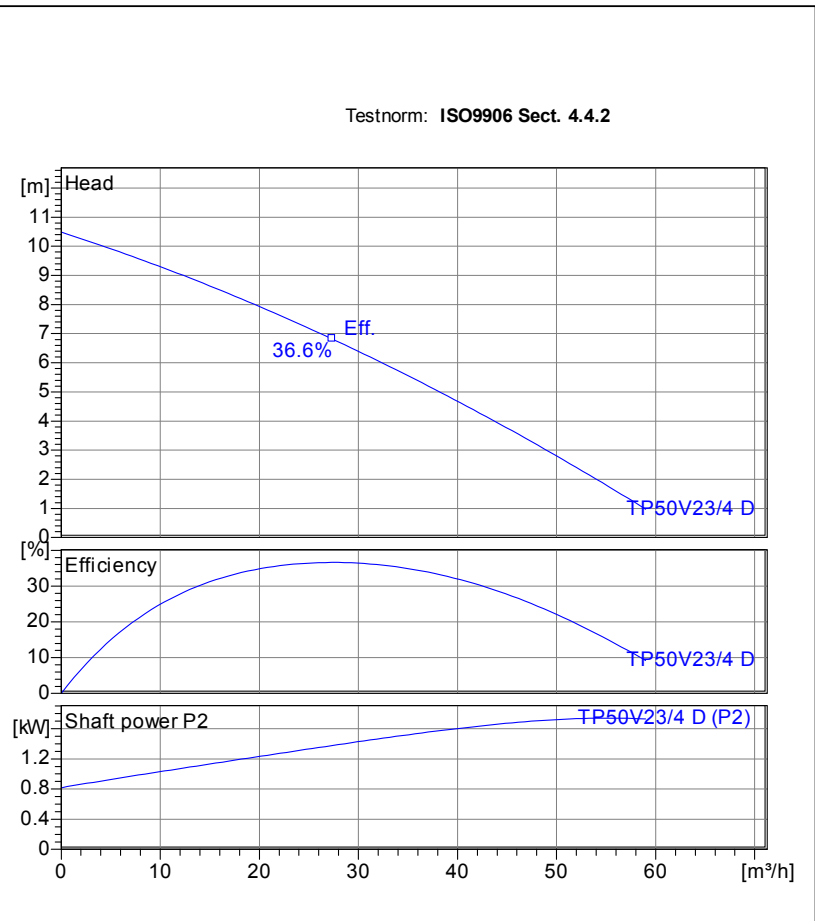
Technical Information

TP50V23/4 D



Operating data	
Flow	0 m ³ /h
Head	0 m
Shaft power P2	
Pump efficiency	s %
Required pump NPSH	
Pumpe type	Single head pump
No. of pumps	1
Fluid	Water, clean
Pump	
Pump Code	TP50V23/4 D
Impeller	Vortex impeller
Impeller size	170 mm
Solid size	62 mm
Discharge port	R 2 ½" AG
Suction port	s
Motor	
Rated voltage	400 V
Frequency	50 Hz
Rated power P2	1.8 kW
Rated speed	1450 rpm
Number of poles	4
Efficiency	76 %
Rated current	5 A
Degree of protection	IP 68

Materials	
Motor housing	Grey cast iron GG25
Impeller	Grey cast iron EN-GJL-250
Pump housing	Grey cast iron GG25
Motor shaft	Stainless steel 1.4104
Bolts	Stainless steel
O-Rings	Nitrile Rubber
Mechanical seal on medium side	SiC / SiC
Mechanical seal on motor side	SiC / SiC
Lower Bearing	Double row angular ball bearing
Upper Bearing	Deep Groove Ball Bearing



Wet well installation with coupling kit (TP50V23)
Dimensions in mm,

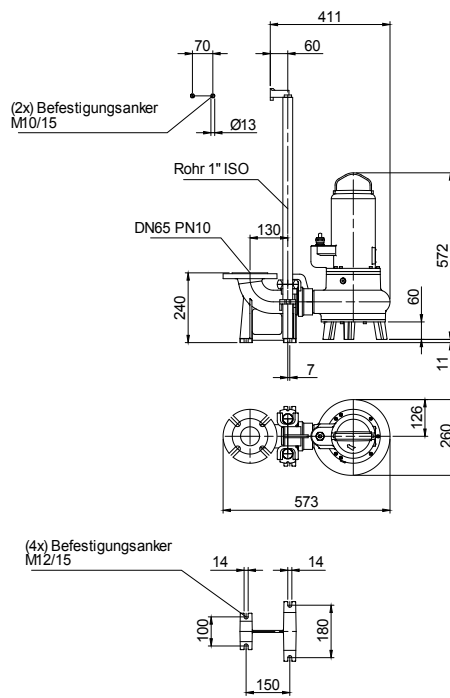


Table Dimensions (mm)

Project	Project no.:	Created by:	Page: 1
---------	--------------	-------------	------------

Performance Curve

TP50V23/4 D



AQUAFIX BELGIUM BVBA
Tel. 013 66 83 03, WWW.AQUAFIX.BE



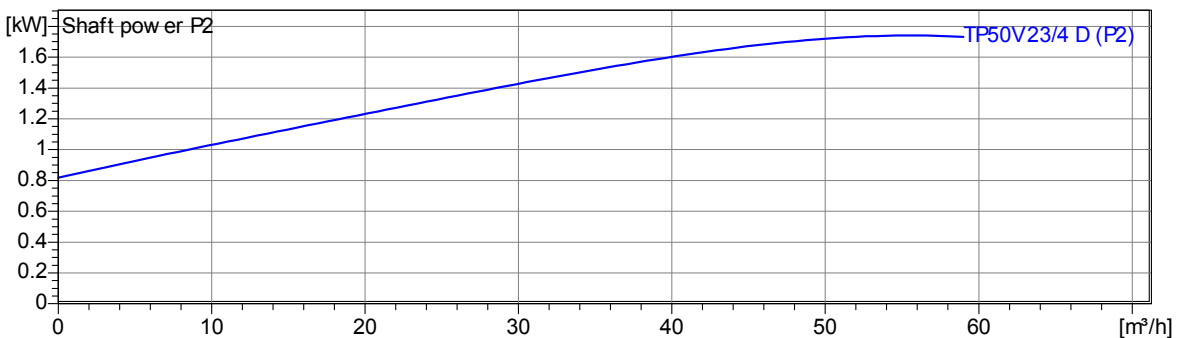
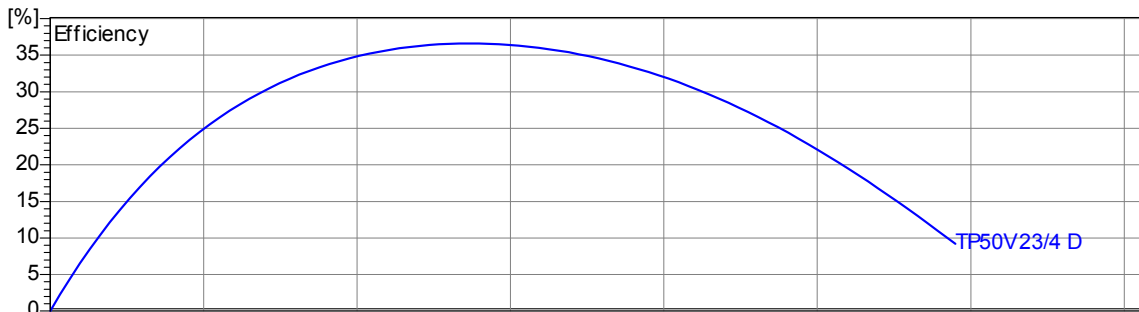
AQUAFIX MILIEU B.V.
Tel. 0297 26 29 29, WWW.AQUAFIX.NL

Impeller						
Impeller type: Vortex impeller	Solid size 62 mm	Ø:	Max. Ø: 170 mm	Min. Ø: 145 mm	Sel. Ø: 170 mm	

Operating data					
Speed: 1450 rpm	Frequency: 50 Hz	Duty point: Q = 0 m³/h	H = 0 m	Shaft power P2:	Discharge port: R 2 ½" AG

Power data referred to:
Water, clean [100%]; 20°C; 998.3kg/m³; 1.005mm²/s

Testnorm: ISO9906 Sect. 4.4.2



2.3.7 - 14/03/2012 (Build 345)

Project	Project no.:	Created by:	Page: 2
---------	--------------	-------------	------------

Dimensions

TP50V23/4 D



AQUAFIX BELGIUM BVBA
Tel. 013 66 83 03, WWW.AQUAFIX.BE



AQUAFIX MILIEU B.V.
Tel. 0297 26 29 29, WWW.AQUAFIX.NL

Wet well installation with coupling kit (TP50V23)
Dimensions in mm, le

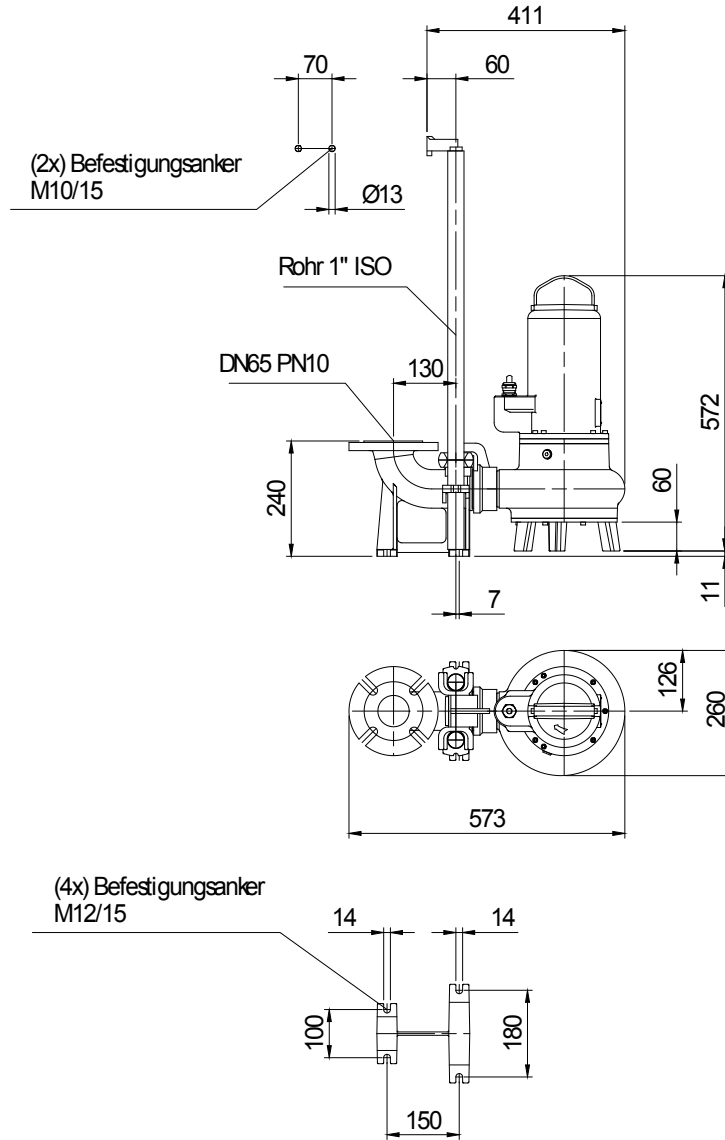


Table Dimensions (mm)

--	--	--

2.3.7 - 14/03/2012 (Build 345)

Technical Data

TP50V23/4 D



AQUAFIX BELGIUM BVBA
Tel. 013 66 83 03, WWW.AQUAFIX.BE



AQUAFIX MILIEU B.V.
Tel. 0297 26 29 29, WWW.AQUAFIX.NL

Operating data					
Flow	0 m ³ /h	m ³ /h	Head	0	m
Shaft power P2		kW	Geodetic head	0	m
Pump efficiency	s	%	Required pump NPSH		m
Pumpe type	Single head pump		No. of pumps	1	
Fluid	Water, clean		Temperature	20 °C	
Density	998.3	kg/m ³	Kin. viscosity	1.005	mm ² /s

Pump					
Pump Code	TP50V23/4 D		Speed	1450	rpm
Suction port			Head	Max.	10.5 m
Discharge port	R 2 1/2" AG			Min.	1.0 m
Impeller type	Vortex impeller		Flow	Max.	59.0 m ³ /h
Solid size	62	mm	Pump efficiency max.	36.6 %	
Impeller Ø	170	mm	Required rated power max. P2	1.7	kW

Motor					
Motor version	Submersible motor		Insulation class	H	
Motor name	AM 136.3,4/4 D		Degree of protection	IP 68	
Frequency	50	Hz	Temperature class		
Rated power P1	2.3	kW			
Rated power P2	1.8	kW	Explosion protection		
Rated speed	1450	rpm	Efficiency	100%	76 %
Rated voltage	400	V 3~	at % rated power	75%	%
Rated current	5.0	A		50%	%
Starting current, direct starting	21.3	A	cos phi	100%	0.80
Starting current, star-delta	7.	A		75%	
Starting mode	Directly			50%	
Power cable	4G1,5		Control cable		
Type of power cable	H07RN-F		Type of control cable		
Cable length	10 m		Service factor	1.15	
Shaft seal	Mechanical seal on medium side		SiC / SiC		
	Mechanical seal on motor side		SiC / SiC		
Bearing	Lower Bearing		Double row angular ball bearing		
	Upper Bearing		Deep Groove Ball Bearing		
Remarks	s				

Materials / Weight			
Motor housing	Grey cast iron GG25	O-Rings	Nitrile Rubber
Pump housing	Grey cast iron GG25		
Impeller	Grey cast iron EN-GJL-250		
Motor shaft	Stainless steel 1.4104		
Bolts	Stainless steel		
Weight aggregat	45 kg		

Project	Project no.:	Created by:	Page: 4
---------	--------------	-------------	------------