

Technical Information

TP70M13/4 D



AQUAFIX BELGIUM BVBA
Tel. 013 66 83 03, WWW.AQUAFIX.BE



AQUAFIX MILIEU B.V.
Tel. 0297 26 29 29, WWW.AQUAFIX.NL

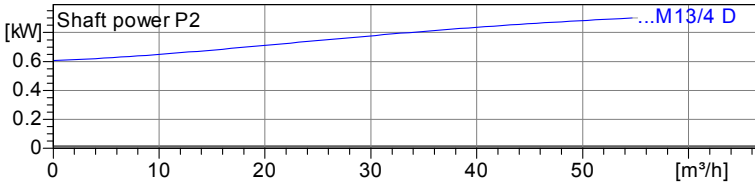
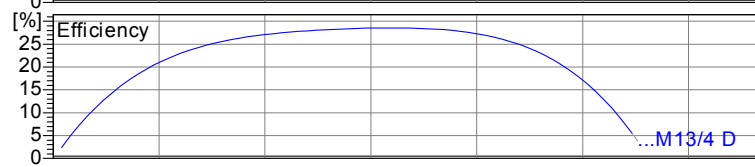
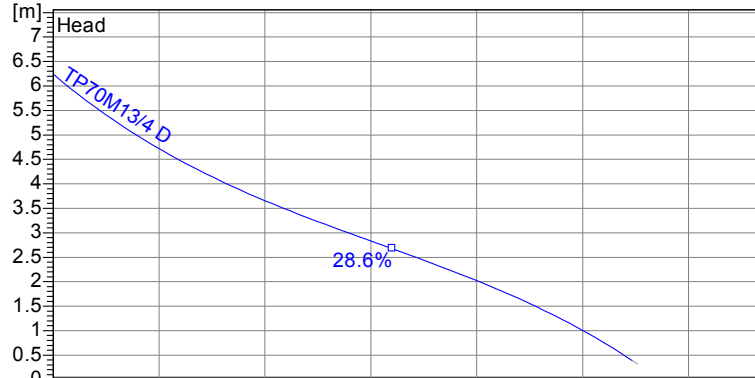
Operating data	
Flow	0 m ³ /h
Head	0 m
Shaft power P2	
Pump efficiency	s %
Required pump NPSH	
Pumpe type	Single head pump
No. of pumps	1
Fluid	Water, clean

Pump	
Pump Code	TP70M13/4 D
Impeller	Single vane impeller
Impeller size	142 mm
Solid size	70 mm
Discharge port	R 3" AG
Suction port	s

Motor	
Rated voltage	400 V
Frequency	50 Hz Hz
Rated power P2	0.9 kW
Rated speed	1450 rpm
Number of poles	4
Efficiency	77 % %
Rated current	2.6 A
Degree of protection	IP 68

Materials	
Motor housing	Grey cast iron GG25
Impeller	Grey cast iron EN-GJL-250
Pump housing	Grey cast iron GG25
Wear ring	Bronze
Motor shaft	Stainless steel 1.4104
Bolts	Stainless steel
O-Rings	Nitrile Rubber
Mechanical seal on medium side	SiC / SiC
Mechanical seal on motor side	SiC / SiC
Lower Bearing	Double row angular ball bearing
Upper Bearing	Deep Groove Ball Bearing

Testnorm: ISO9906 Sect. 4.4.2



Wet well installation with coupling kit (M13...16)
Dimensions in mm,

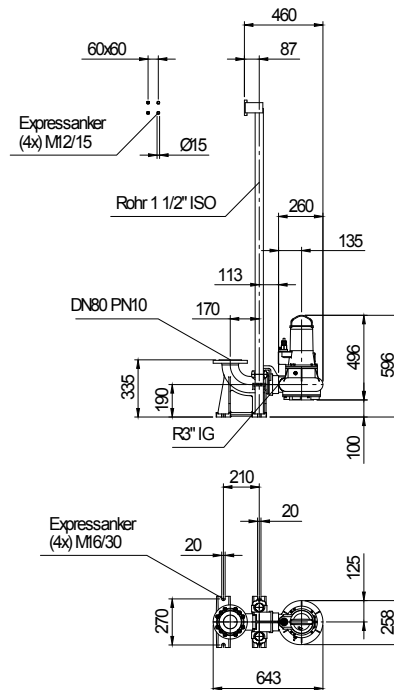


Table Dimensions
(mm)

2.3.7 - 14/03/2012 (Build 345)

Project	Project no.:	Created by:	Page: 1
---------	--------------	-------------	------------

Performance Curve

TP70M13/4 D



AQUAFIX BELGIUM BVBA
Tel. 013 66 83 03, WWW.AQUAFIX.BE



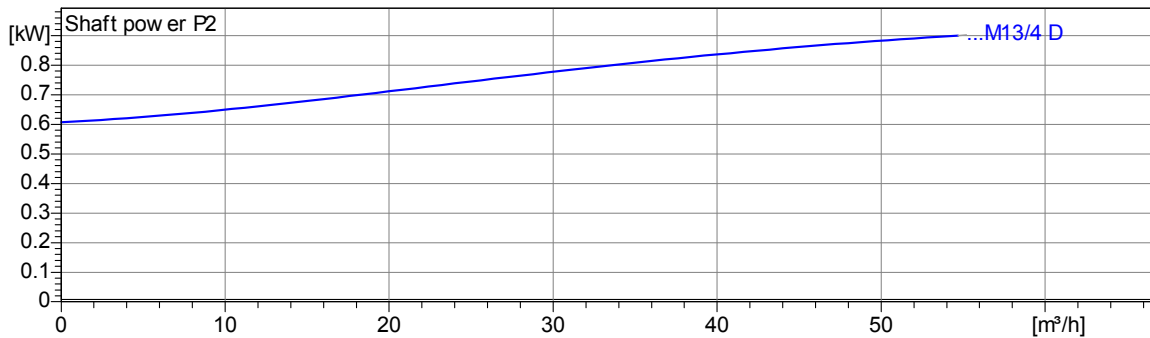
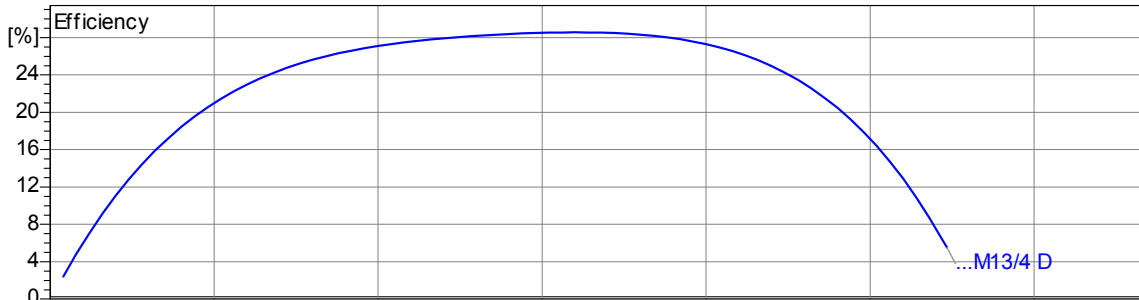
AQUAFIX MILIEU B.V.
Tel. 0297 26 29 29, WWW.AQUAFIX.NL

Impeller						
Impeller type: Single vane impeller	Solid size 70 mm	Ø:	Max. Ø: 166 mm	Min. Ø: 142 mm	Sel. Ø: 142 mm	

Operating data					
Speed: 1450 rpm	Frequency: 50 Hz	Duty point: Q = 0 m³/h	H = 0 m	Shaft power P2:	Discharge port: R 3" AG

Power data referred to:
Water, clean [100%]; 20°C; 998.3kg/m³; 1.005mm²/s

Testnorm: ISO9906 Sect. 4.4.2



2.3.7 - 14/03/2012 (Build 345)

Project	Project no.:	Created by:	Page: 2
---------	--------------	-------------	------------

Dimensions

TP70M13/4 D



AQUAFIX BELGIUM BVBA
Tel. 013 66 83 03, WWW.AQUAFIX.BE



AQUAFIX MILIEU B.V.
Tel. 0297 26 29 29, WWW.AQUAFIX.NL

Wet well installation with coupling kit (M13...16)
Dimensions in mm, le

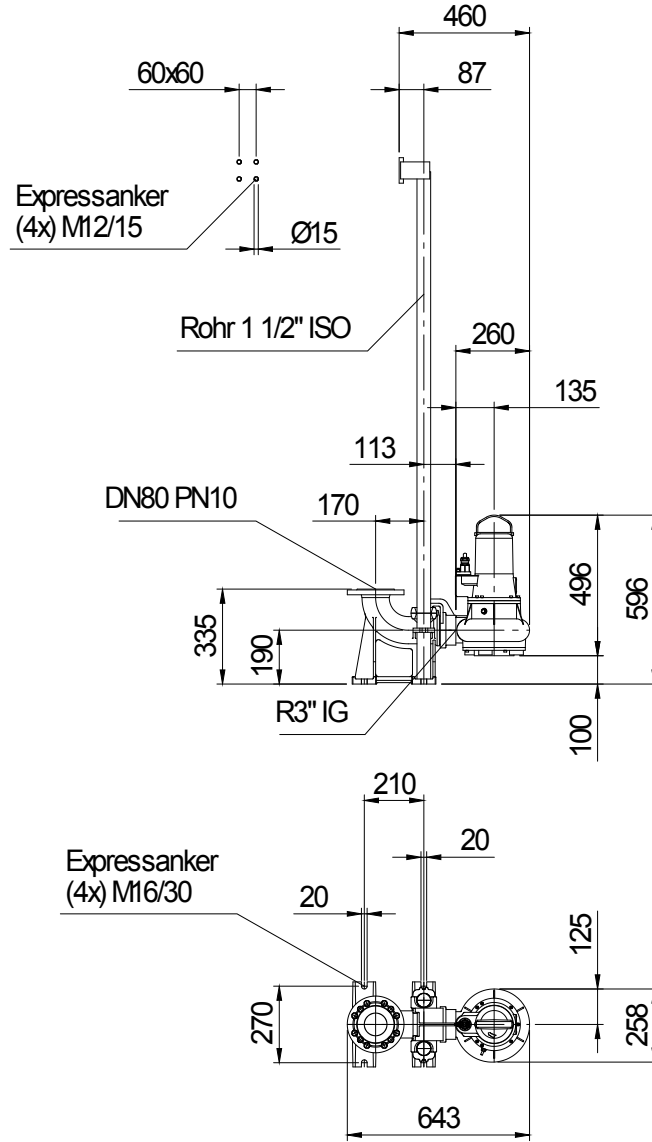


Table Dimensions (mm)

--	--	--

2.3.7 - 14/03/2012 (Build 345)

Technical Data

TP70M13/4 D



AQUAFIX BELGIUM BVBA
Tel. 013 66 83 03, WWW.AQUAFIX.BE



AQUAFIX MILIEU B.V.
Tel. 0297 26 29 29, WWW.AQUAFIX.NL

Operating data					
Flow	0 m ³ /h	m ³ /h	Head	0	m
Shaft power P2		kW	Geodetic head	0	m
Pump efficiency	s	%	Required pump NPSH		m
Pumpe type	Single head pump		No. of pumps	1	
Fluid	Water, clean		Temperature	20 °C	
Density	998.3	kg/m ³	Kin. viscosity	1.005	mm ² /s

Pump					
Pump Code	TP70M13/4 D		Speed	1450	rpm
Suction port			Head	Max.	6.2 m
Discharge port	R 3" AG			Min.	0.4 m
Impeller type	Single vane impeller		Flow	Max.	54.7 m ³ /h
Solid size	70	mm	Pump efficiency max.	28.6 %	
Impeller Ø	142	mm	Required rated power max. P2	0.9	kW

Motor					
Motor version	Submersible motor		Insulation class	H	
Motor name	AM 122.1,7/4 D		Degree of protection	IP 68	
Frequency	50	Hz	Temperature class		
Rated power P1	1.2	kW			
Rated power P2	0.9	kW	Explosion protection		
Rated speed	1450	rpm	Efficiency	100%	77 %
Rated voltage	400	V 3~	at % rated power	75%	%
Rated current	2.6	A		50%	%
Starting current, direct starting	9.5	A	cos phi	100%	0.70
Starting current, star-delta	3.	A	at % rated power	75%	
Starting mode	Directly			50%	
Power cable	7G1,5		Control cable		
Type of power cable	H07RN-F		Type of control cable		
Cable length	10 m		Service factor	1.15	
Shaft seal	Mechanical seal on medium side		SiC / SiC		
	Mechanical seal on motor side		SiC / SiC		
Bearing	Lower Bearing		Double row angular ball bearing		
	Upper Bearing		Deep Groove Ball Bearing		
Remarks	s				

Materials / Weight			
Motor housing	Grey cast iron GG25	Bolts	Stainless steel
Pump housing	Grey cast iron GG25	O-Rings	Nitrile Rubber
Impeller	Grey cast iron EN-GJL-250		
Wear ring	Bronze		
Motor shaft	Stainless steel 1.4104		
Weight aggregat	40 kg		

Project	Project no.:	Created by:	Page: 4
---------	--------------	-------------	------------