

Technical Information

TPM310 D



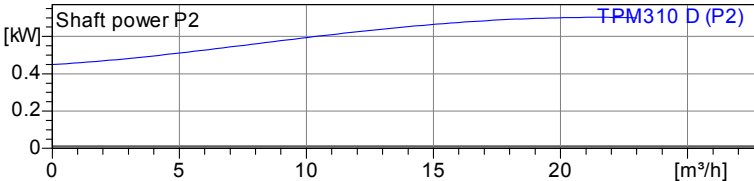
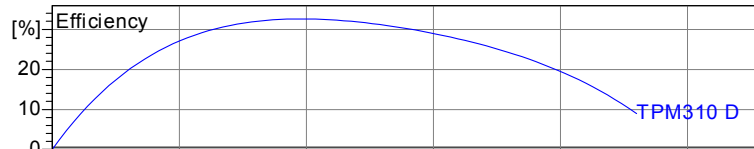
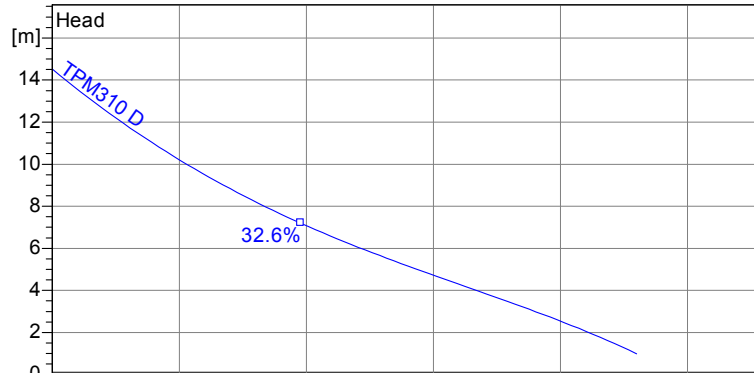
AQUAFIX BELGIUM BVBA
Tel. 013 66 83 03, WWW.AQUAFIX.BE



AQUAFIX MILIEU B.V.
Tel. 0297 26 29 29, WWW.AQUAFIX.NL

Operating data	
Flow	0 m ³ /h
Head	0 m
Shaft power P2	
Pump efficiency	s %
Required pump NPSH	
Pumpe type	Single head pump
No. of pumps	1
Fluid	Water, clean
Pump	
Pump Code	TPM310 D
Impeller	Einschaufelrad
Impeller size	110 mm
Solid size	30 mm
Discharge port	G 1 1/2 AG
Suction port	s
Motor	
Rated voltage	400 V
Frequency	50 Hz
Rated power P2	0.7 kW
Rated speed	2900 rpm
Number of poles	2
Efficiency	73 %
Rated current	2 A
Degree of protection	IP 68
Materials	
Motor housing cover	Plastic PP-GF
Pump housing	Grey cast iron EN-GJL-250
Motor housing	Stainless steel 1.4301
Impeller	Stainless steel 1.4308
Motor shaft	Stainless steel 1.4104
Bolts	Stainless steel
O-Rings	Nitrile Rubber
Mechanical seal on medium side	SiC / SiC
Lip seal on motor side	Nitrile Rubber
Lower Bearing	Deep Groove Ball Bearing
Upper Bearing	Deep Groove Ball Bearing

Testnorm: ISO9906 Sect. 4.4.2



Wet well installation with coupling kit (TPM310)
Dimensions in mm,

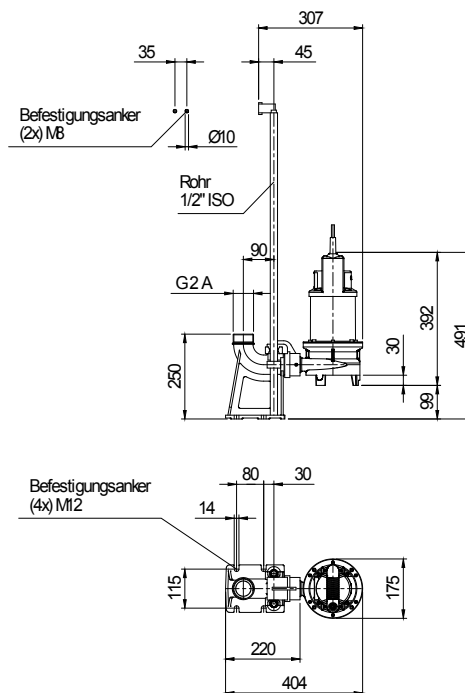


Table Dimensions (mm)

2.3.7 - 14/03/2012 (Build 345)

Project	Project no.:	Created by:	Page: 1
---------	--------------	-------------	------------

Performance Curve

TPM310 D



AQUAFIX BELGIUM BVBA
Tel. 013 66 83 03, WWW.AQUAFIX.BE



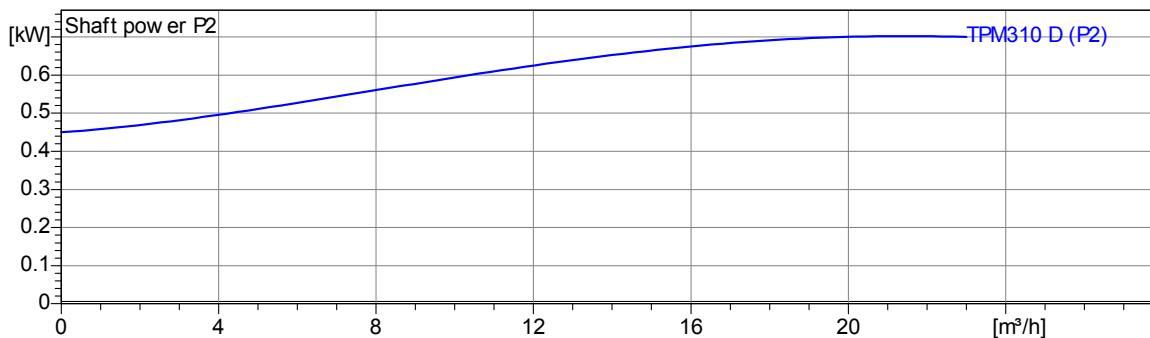
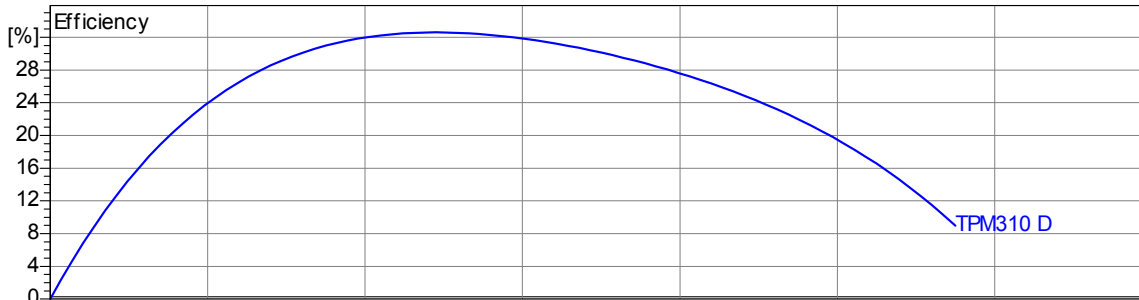
AQUAFIX MILIEU B.V.
Tel. 0297 26 29 29, WWW.AQUAFIX.NL

Impeller						
Impeller type: Einschaufelrad	Solid size 30 mm	Ø:	Max. Ø: 110 mm	Min. Ø: 110 mm	Sel. Ø: 110 mm	

Operating data					
Speed: 2900 rpm	Frequency: 50 Hz	Duty point: Q = 0 m³/h	H = 0 m	Shaft power P2:	Discharge port: G1 ½ AG

Power data referred to:
Water, clean [100%] ; 20°C; 998.3kg/m³; 1.005mm²/s

Testnorm: ISO9906 Sect. 4.4.2



2.3.7 - 14/03/2012 (Build 345)

Project	Project no.:	Created by:	Page: 2
---------	--------------	-------------	------------

Dimensions

TPM310 D

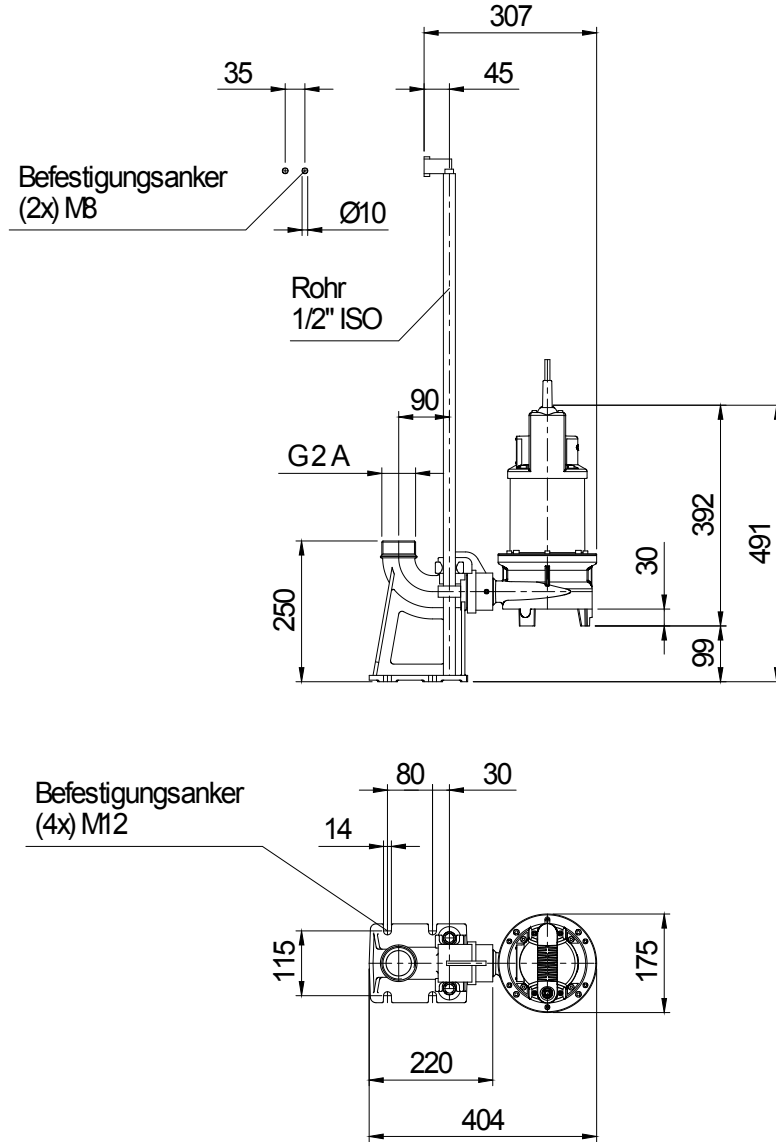


AQUAFIX BELGIUM BVBA
Tel. 013 66 83 03, WWW.AQUAFIX.BE



AQUAFIX MILIEU B.V.
Tel. 0297 26 29 29, WWW.AQUAFIX.NL

Wet well installation with coupling kit (TPM310)
Dimensions in mm, le



2.3.7 - 14/03/2012 (Build 345)

Project	Project no.:	Created by:	Page: 3
---------	--------------	-------------	------------

Technical Data

TPM310 D



AQUAFIX BELGIUM BVBA
Tel. 013 66 83 03, WWW.AQUAFIX.BE



AQUAFIX MILIEU B.V.
Tel. 0297 26 29 29, WWW.AQUAFIX.NL

Operating data					
Flow	0 m ³ /h	m ³ /h	Head	0	m
Shaft power P2		kW	Geodetic head	0	m
Pump efficiency	s	%	Required pump NPSH		m
Pumpe type	Single head pump		No. of pumps	1	
Fluid	Water, clean		Temperature	20 °C	
Density	998.3	kg/m ³	Kin. viscosity	1.005	mm ² /s

Pump					
Pump Code	TPM310 D		Speed	2900	rpm
Suction port			Head	Max.	14.5 m
Discharge port	G 1 ½ AG			Min.	1.0 m
Impeller type	Einschaufelrad		Flow	Max.	23.0 m ³ /h
Solid size	30	mm	Pump efficiency max.	32.6 %	
Impeller Ø	110	mm	Required rated power max. P2	0.7 kW	

Motor					
Motor version	Submersible motor		Insulation class	F	
Motor name	AM 120CM1,0/2 D		Degree of protection	IP 68	
Frequency	50	Hz	Temperature class		
Rated power P1	1.0	kW			
Rated power P2	0.7	kW	Explosion protection		
Rated speed	2900	rpm	Efficiency	100%	73 %
Rated voltage	400	V 3~	at % rated power	75%	%
Rated current	2.0	A		50%	%
Starting current, direct starting	9.2	A	cos phi	100%	0.99
Starting current, star-delta	3.	A	at % rated power	75%	
Starting mode	Directly			50%	
Power cable	4G1		Control cable		
Type of power cable	H07RN-F		Type of control cable		
Cable length	10 m		Service factor	1.15	
Shaft seal	Mechanical seal on medium side		SiC / SiC		
	Lip seal on motor side		Nitrile Rubber		
Bearing	Lower Bearing		Deep Groove Ball Bearing		
	Upper Bearing		Deep Groove Ball Bearing		
Remarks	Operation: S1 (S2 30min / S3 50%)				

Materials / Weight			
Motor housing cover	Plastic PP-GF	Bolts	Stainless steel
Motor housing	Stainless steel 1.4301	O-Rings	Nitrile Rubber
Pump housing	Grey cast iron EN-GJL-250		
Impeller	Stainless steel 1.4308		
Motor shaft	Stainless steel 1.4104		
Weight aggregat	On demand kg		

Project	Project no.:	Created by:	Page: 4
---------	--------------	-------------	------------

2.3.7 - 14/03/2012 (Build 345)