

Technical Information

TPV515 D



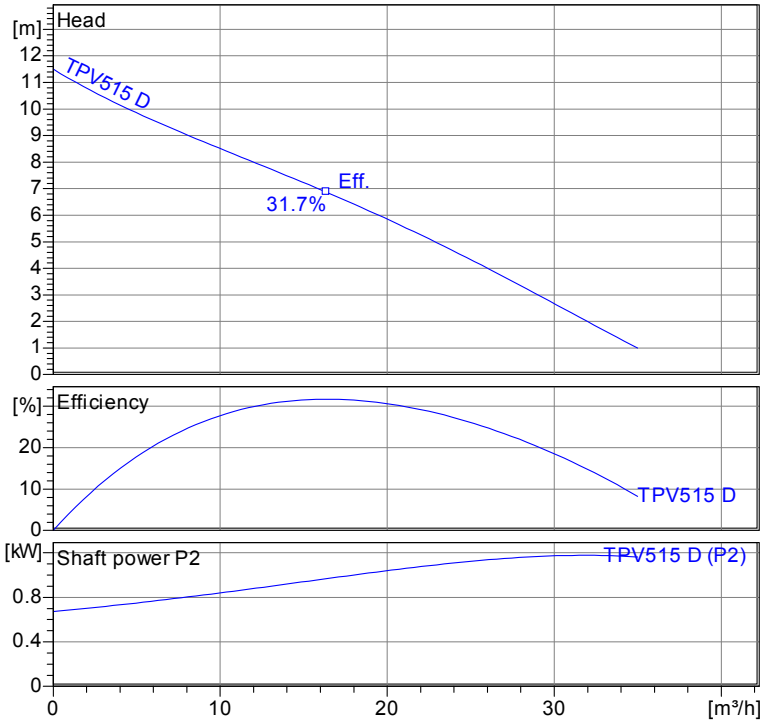
AQUAFIX BELGIUM BVBA
Tel. 013 66 83 03, WWW.AQUAFIX.BE



AQUAFIX MILIEU B.V.
Tel. 0297 26 29 29, WWW.AQUAFIX.NL

Operating data	
Flow	0 m ³ /h
Head	0 m
Shaft power P2	
Pump efficiency	s %
Required pump NPSH	
Pumpe type	Single head pump
No. of pumps	1
Fluid	Water, clean
Pump	
Pump Code	TPV515 D
Impeller	Vortex impeller
Impeller size	123 mm
Solid size	50 mm
Discharge port	G 2 AG
Suction port	s
Motor	
Rated voltage	400 V
Frequency	50 Hz
Rated power P2	1.2 kW
Rated speed	2900 rpm
Number of poles	2
Efficiency	78 %
Rated current	2.5 A
Degree of protection	IP 68
Materials	
Motor housing cover	Plastic PP-GF
Pump housing	Grey cast iron EN-GJL-250
Motor housing	Stainless steel 1.4301
Impeller	Stainless steel 1.4308
Motor shaft	Stainless steel 1.4104
Bolts	Stainless steel
O-Rings	Nitrile Rubber
Mechanical seal on medium side	SiC / SiC
Lip seal on motor side	Nitrile Rubber
Lower Bearing	Deep Groove Ball Bearing
Upper Bearing	Deep Groove Ball Bearing

Testnorm: ISO9906 Sect. 4.4.2



Wet well installation with coupling kit (TPV515)
Dimensions in mm,

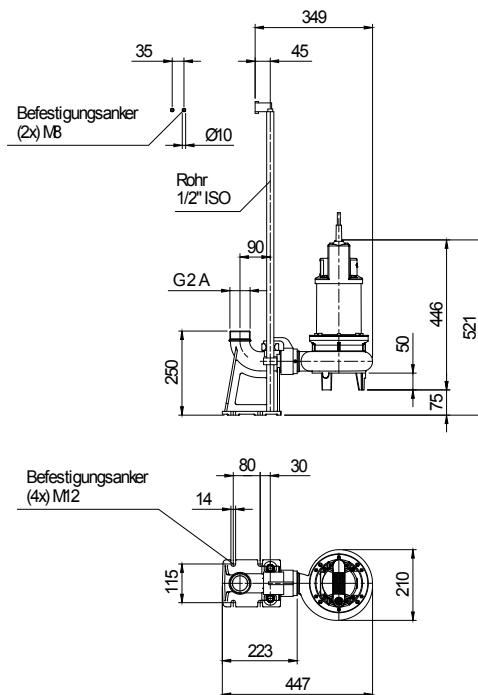


Table Dimensions (mm)

2.3.7 - 14/03/2012 (Build 345)

Project	Project no.:	Created by:	Page: 1
---------	--------------	-------------	------------

Performance Curve

TPV515 D



AQUAFIX BELGIUM BVBA
Tel. 013 66 83 03, WWW.AQUAFIX.BE



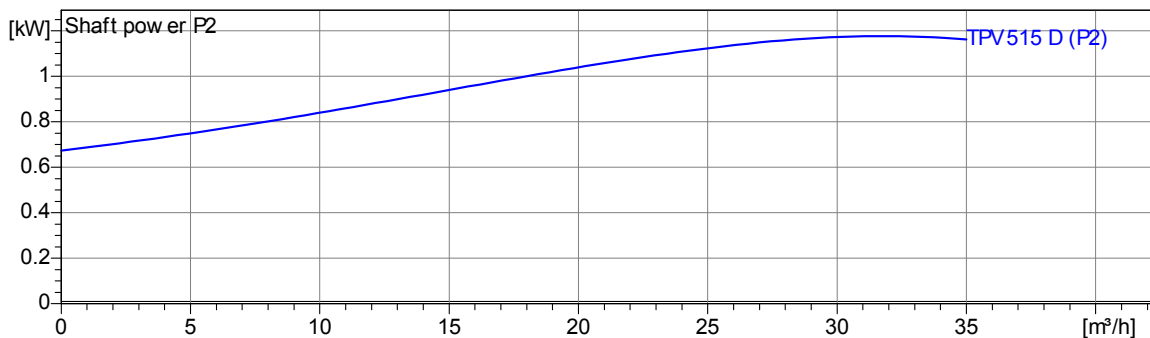
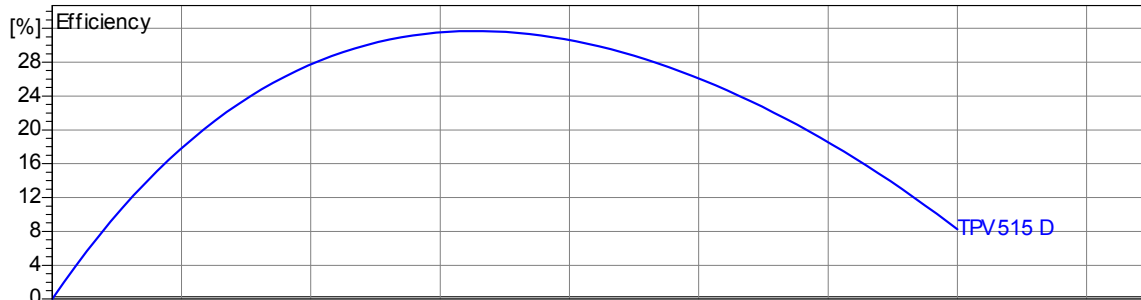
AQUAFIX MILIEU B.V.
Tel. 0297 26 29 29, WWW.AQUAFIX.NL

Impeller						
Impeller type: Vortex impeller	Solid size 50 mm	Ø:	Max. Ø: 123 mm	Min. Ø: 123 mm	Sel. Ø: 123 mm	

Operating data					
Speed: 2900 rpm	Frequency: 50 Hz	Duty point: Q = 0 m³/h	H = 0 m	Shaft power P2:	Discharge port: G2 AG

Power data referred to:
Water, clean [100%]; 20°C; 998.3kg/m³; 1.005mm²/s

Testnorm: ISO9906 Sect. 4.4.2



2.3.7 - 14/03/2012 (Build 345)

Project	Project no.:	Created by:	Page: 2
---------	--------------	-------------	------------

Dimensions

TPV515 D

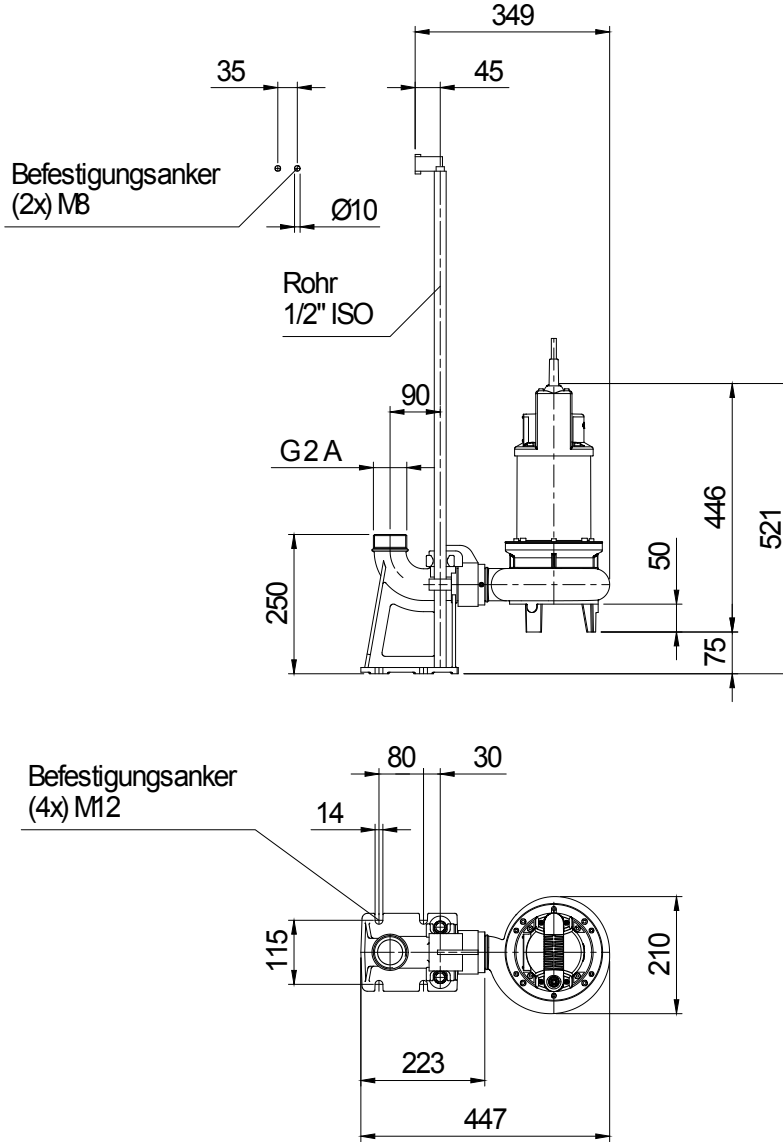


AQUAFIX BELGIUM BVBA
Tel. 013 66 83 03, WWW.AQUAFIX.BE



AQUAFIX MILIEU B.V.
Tel. 0297 26 29 29, WWW.AQUAFIX.NL

Wet well installation with coupling kit (TPV515)
Dimensions in mm, le



2.3.7 - 14/03/2012 (Build 345)

Project	Project no.:	Created by:	Page: 3
---------	--------------	-------------	------------

Technical Data

TPV515 D



AQUAFIX BELGIUM BVBA
Tel. 013 66 83 03, WWW.AQUAFIX.BE



AQUAFIX MILIEU B.V.
Tel. 0297 26 29 29, WWW.AQUAFIX.NL

Operating data					
Flow	0 m ³ /h	m ³ /h	Head	0	m
Shaft power P2		kW	Geodetic head	0	m
Pump efficiency	s	%	Required pump NPSH		m
Pumpe type	Single head pump		No. of pumps	1	
Fluid	Water, clean		Temperature	20 °C	
Density	998.3	kg/m ³	Kin. viscosity	1.005	mm ² /s

Pump					
Pump Code	TPV515 D		Speed	2900	rpm
Suction port			Head	Max.	11.5 m
Discharge port	G 2 AG			Min.	1.0 m
Impeller type	Vortex impeller		Flow	Max.	35.0 m ³ /h
Solid size	50	mm	Pump efficiency max.	31.7 %	
Impeller Ø	123	mm	Required rated power max. P2	1.2	kW

Motor					
Motor version	Submersible motor		Insulation class	F	
Motor name	AM 120CM1,5/2 D		Degree of protection	IP 68	
Frequency	50	Hz	Temperature class		
Rated power P1	1.5	kW			
Rated power P2	1.2	kW	Explosion protection		
Rated speed	2900	rpm	Efficiency	100%	78 %
Rated voltage	400	V 3~	at % rated power	75%	%
Rated current	2.5	A		50%	%
Starting current, direct starting	11.5	A	cos phi	100%	0.84
Starting current, star-delta	3.	A		75%	
Starting mode	Directly			50%	
Power cable	4G1		Control cable		
Type of power cable	H07RN-F		Type of control cable		
Cable length	10 m		Service factor	1.15	
Shaft seal	Mechanical seal on medium side		SiC / SiC		
	Lip seal on motor side		Nitrile Rubber		
Bearing	Lower Bearing		Deep Groove Ball Bearing		
	Upper Bearing		Deep Groove Ball Bearing		
Remarks	Operation: S1 (S2 30min / S3 50%)				

Materials / Weight			
Motor housing cover	Plastic PP-GF	Bolts	Stainless steel
Motor housing	Stainless steel 1.4301	O-Rings	Nitrile Rubber
Pump housing	Grey cast iron EN-GJL-250		
Impeller	Stainless steel 1.4308		
Motor shaft	Stainless steel 1.4104		
Weight aggregat	18 kg		

Project	Project no.:	Created by:	Page: 4
---------	--------------	-------------	------------