



# Performance Curve

TPV515 W



AQUAFIX BELGIUM BVBA  
Tel. 013 66 83 03, WWW.AQUAFIX.BE



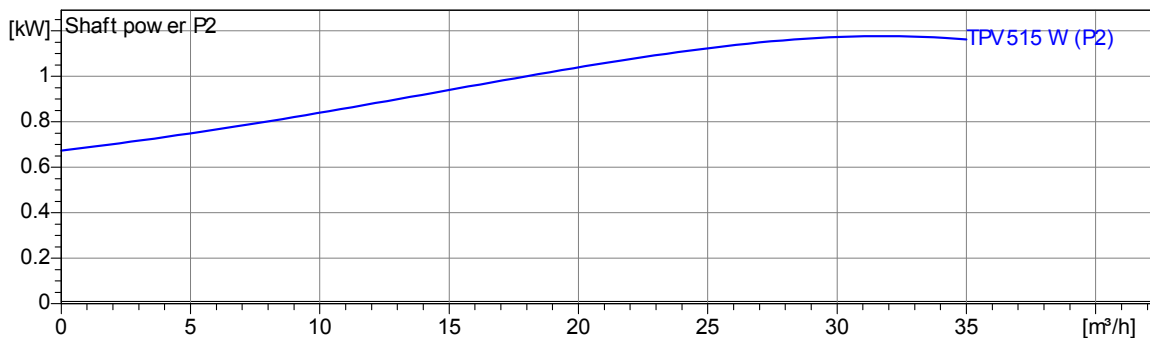
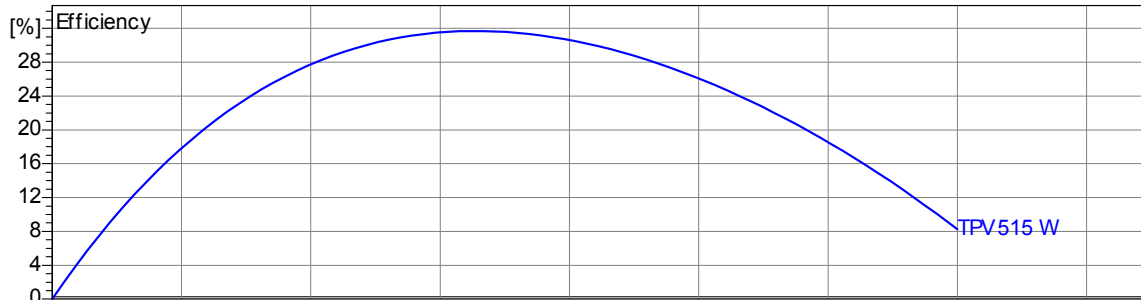
AQUAFIX MILIEU B.V.  
Tel. 0297 26 29 29, WWW.AQUAFIX.NL

Impeller						
Impeller type: Vortex impeller	Solid size 50 mm	Ø:	Max. Ø: 123 mm	Min. Ø: 123 mm	Sel. Ø: 123 mm	

Operating data					
Speed: <b>2900 rpm</b>	Frequency: <b>50 Hz</b>	Duty point: <b>Q = 0 m³/h</b>	<b>H = 0 m</b>	Shaft power P2:	Discharge port: <b>G2 AG</b>

Power data referred to:  
Water, clean [100%]; 20°C; 998.3kg/m³; 1.005mm²/s

Testnorm: ISO9906 Sect. 4.4.2



2.3.7 - 14/03/2012 (Build 345)

Project	Project no.:	Created by:	Page: 2
---------	--------------	-------------	------------

# Dimensions

TPV515 W

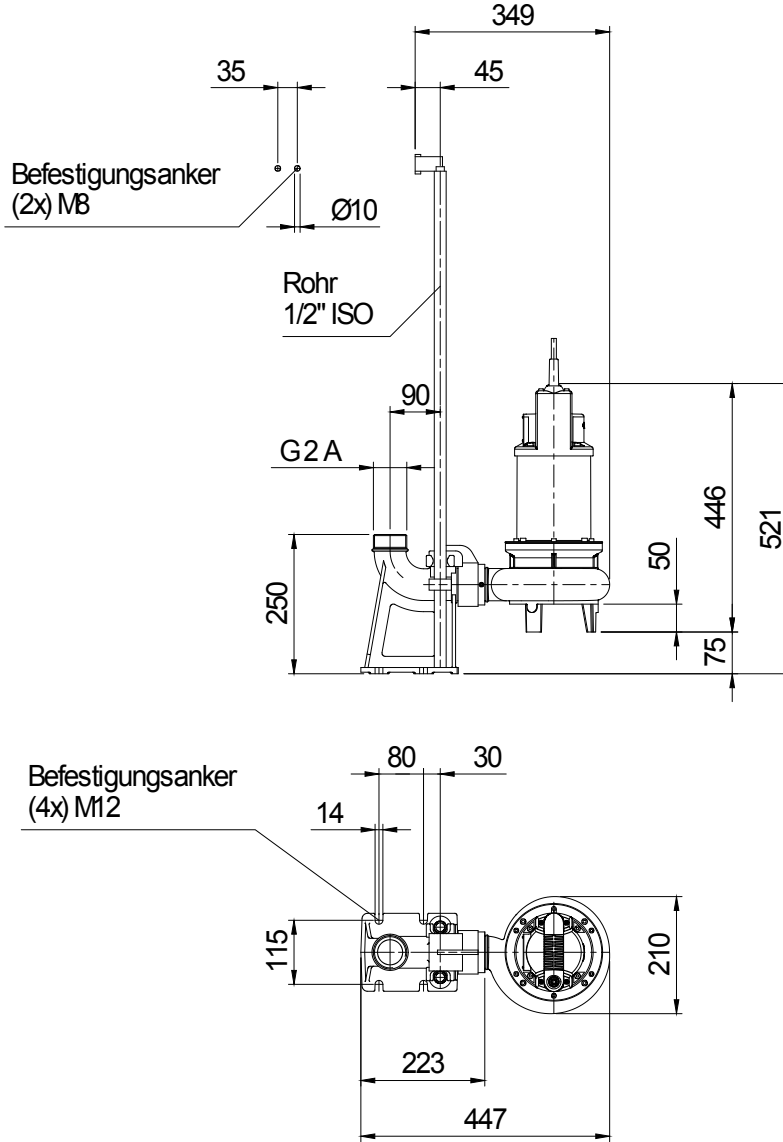


AQUAFIX BELGIUM BVBA  
Tel. 013 66 83 03, WWW.AQUAFIX.BE



AQUAFIX MILIEU B.V.  
Tel. 0297 26 29 29, WWW.AQUAFIX.NL

Wet well installation with coupling kit (TPV515)  
Dimensions in mm, le



2.3.7 - 14/03/2012 (Build 345)

Project	Project no.:	Created by:	Page: 3
---------	--------------	-------------	------------

# Technical Data

TPV515 W



AQUAFIX BELGIUM BVBA  
Tel. 013 66 83 03, WWW.AQUAFIX.BE



AQUAFIX MILIEU B.V.  
Tel. 0297 26 29 29, WWW.AQUAFIX.NL

Operating data					
Flow	0 m <sup>3</sup> /h	m <sup>3</sup> /h	Head	0	m
Shaft power P2		kW	Geodetic head	0	m
Pump efficiency	s	%	Required pump NPSH		m
Pumpe type	Single head pump		No. of pumps	1	
Fluid	Water, clean		Temperature	20 °C	
Density	998.3	kg/m <sup>3</sup>	Kin. viscosity	1.005	mm <sup>2</sup> /s

Pump					
Pump Code	TPV515 W		Speed	2900	rpm
Suction port			Head	Max.	11.5 m
Discharge port	G 2 AG			Min.	1.0 m
Impeller type	Vortex impeller		Flow	Max.	35.0 m <sup>3</sup> /h
Solid size	50	mm	Pump efficiency max.	31.7 %	
Impeller Ø	123	mm	Required rated power max. P2	1.2	kW

Motor					
Motor version	Submersible motor		Insulation class	F	
Motor name	AM 120CM1,5/2 W		Degree of protection	IP 68	
Frequency	50	Hz	Temperature class		
Rated power P1	1.5	kW			
Rated power P2	1.2	kW	Explosion protection		
Rated speed	2900	rpm	Efficiency	100%	78 %
Rated voltage	230	V 1~	at % rated power	75%	%
Rated current	6.5	A		50%	%
Starting current, direct starting	29.9	A	cos phi	100%	0.99
Starting current, star-delta	1C	A	at % rated power	75%	
Starting mode	Directly			50%	
Power cable	3G1		Control cable		
Type of power cable	H07RN-F		Type of control cable		
Cable length	10 m		Service factor	1.15	
Shaft seal	Mechanical seal on medium side		SiC / SiC		
	Lip seal on motor side		Nitrile Rubber		
Bearing	Lower Bearing		Deep Groove Ball Bearing		
	Upper Bearing		Deep Groove Ball Bearing		
Remarks	Operation: S1 (S2 20min / S3 40%)				

Materials / Weight			
Motor housing cover	Plastic PP-GF	Bolts	Stainless steel
Motor housing	Stainless steel 1.4301	O-Rings	Nitrile Rubber
Pump housing	Grey cast iron EN-GJL-250		
Impeller	Stainless steel 1.4308		
Motor shaft	Stainless steel 1.4104		
Weight aggregat	18 kg		

Project	Project no.:	Created by:	Page: 4
---------	--------------	-------------	------------