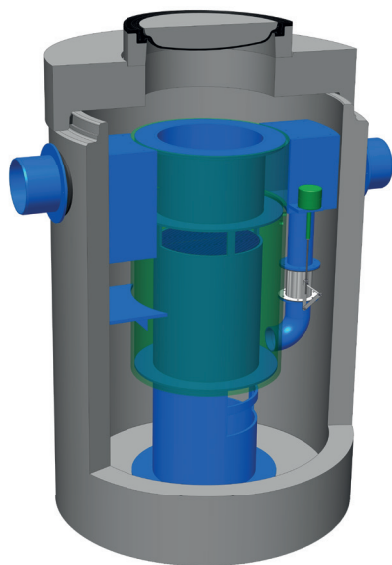


AQUAFIX BELGIUM PRESENTS PARALLEL PLATE SEPARATORS & CATCH PITS



Following extensive research, Aquafix Belgium's developers have successfully launched a new range of parallel plate, oil/fuel and coalescence separators, grease traps and catch pits. These new Euromal@+ and RUN-OFFIX® lines are unrivalled on the European market. We have developed custom solutions for every wastewater management problem – small or large – available from stock.

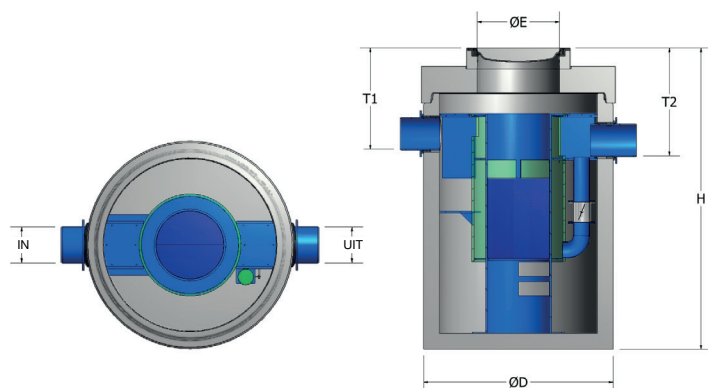
Our parallel plate separators are fitted with concrete housings – CE mark approved and KIWA certified in compliance with BRL 5070 standards. Separator surface loading is greatly reduced by a two-stage honeycomb-shaped parallel plate pack, which improves efficiency considerably compared to traditional gravity separators. The laminar flow through this special parallel pack even separates floating sediment that characteristically has a very low settling rate. PAHs, heavy metals and mineral oils that run off into sewer systems and open water during heavy rainfall bond to this particulate matter.

All our systems are designed for flow rates, $Q = 14$ L/s/ha. If capacities are implemented according to this design parameter, then another design requirement, surface loading, $S_o = 1$ m/h, is also satisfied. If the flow rate is exceeded, then surface loading will increase, which in turn will reduce separator efficiency because fewer suspended particles will settle. The flow is also more turbulent, which again reduces efficiency.

High efficiency and low rainfall coefficients can be achieved by enlarging the separation surface area. For example, a traditional 10 L/s separator has a separation surface area of 2 m² in compliance with DIN 1999 standards. A 10 L/s parallel plate separator has a separation surface area of 36 m², i.e. eighteen times greater.

RUN-OFFIX® parallel plate separators are manufactured according to European NEN EN 858 standards. RUN-OFFIX® separators are suitable for open water discharge with residual oil emission levels of less than 5 mg/L in compliance with statutory minimum requirements.

As you can see, RUN-OFFIX® parallel plate separators provide top quality and excellent performance.



Benefits:

- Extensive range of parallel plate separators from 3 to 100 l/s.
- Catch pits ranging from 200 to 60.000 L.
- Wide range of Euro (combined) models available.
- Separation of particles down to 20 microns.
- Oil emissions < 5 mg/L in compliance with NEN EN 858.
- Sediment and oil buffers – standard.
- In-built bypass – standard.
- High durability achieved using high-grade materials.
- Quick and easy to position and install.
- Manufactured according to NEN EN 858 standards.

Options:

- Heavy-duty traffic covers.
- HDPE inner linings.
- Attachments (for increased installation depths).
- Flexible connectors.
- Oil alarm.
- Inspection chamber.
- Bypass chamber.

Certification:

- CE approval mark, EC Declaration Of Performance (DOP).
- KIWA certificate in compliance with BRL 5070.
- NEN EN 858 compliant.

Applications:

- Roundabouts.
- Motorways and secondary roads.
- Bus stops and bus lanes.
- Car parks.
- Site drainage.
- Industrial estates.
- Car breakers.
- Airfields.
- Defence bases.

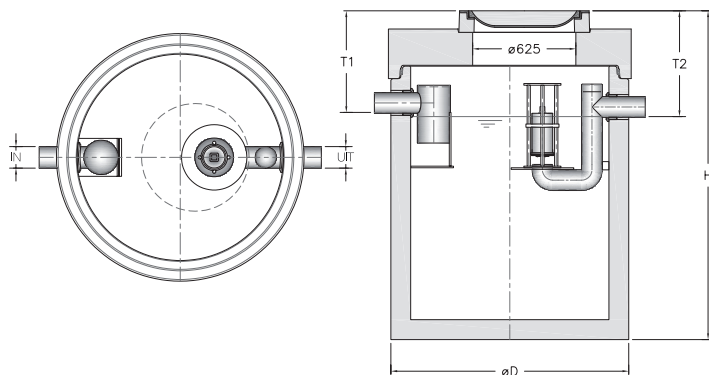
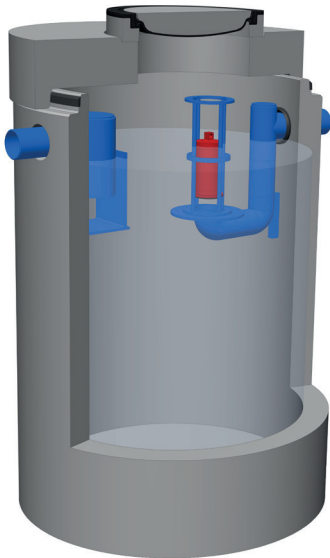
NEN-EN 858



We are currently looking for dealers/resellers. Our sales manager speaks English and German.

DWARSTRAT 6A, 2430 LAAKDAL BELGIË T: 013 - 66 83 03 F: 013 - 66 17 68 WWW.AQUAFIX.BE

AQUAFIX BELGIUM PRESENTS OIL SEPARATORS & CATCH PITS



Benefits:

- Extensive range of separators from 1.5 to 300 l/s.
- Catch pits ranging from 200 to 60.000 L.
- Wide range of Euro (combined) models available.
- Hydraulically optimized design.
- Very high efficiency – far below statutory requirements.
- High durability achieved using high-grade materials.
- Quick and easy to position and install.
- NEN EN 858 compliant manufacture.

Options:

- Heavy-duty traffic covers.
- HDPE inner linings.
- Attachments (for increased installation depths).
- Flexible connectors.
- Oil alarm.
- Inspection chamber.
- Parallel plate packs.
- Bypass chamber.

Following extensive research, Aquafix Belgium's developers have successfully launched a new range of oil/fuel, coalescence, and parallel plate separators, grease traps and catch pits. This new Euromal®+ line is unrivalled on the European market. We have developed custom solutions for every wastewater management problem – small or large – available from stock.

The Euromal®+ line's performance and functionality has been tested and certified by the approved LGA TÜV-Rheinland inspection institute in Würzburg, Germany. These separators have also been CE approved. We manufacture all our separators in our factory in the Netherlands from watertight sumps made of high-grade, reinforced monolithic concrete (concrete grade: C60/75, environmental category: EA3, exposure class: XA3). Watertight seals between the lower basin and the cover slab are achieved using a spigot-and-socket joint fitted with an SBR top ring (supplied). We fit separators with a BEGU cover rated for traffic category B.125 kN as standard. For a small additional charge, we can also supply D.400 kN-rated covers. We supply separators with a high-grade, two-component inner coating and for a small additional charge, 3 mm HDPE inner linings (e.g. for chemical-resistant usage). We manufacture separator interiors from durable KOMO-certified PE. Our oil, fuel and coalescence separators are fitted with an LGA-tested automatic float valve.

Euromal®+ oil separators are manufactured in compliance with the latest European NEN EN 858 standards and are available in Class I or II models. Class II models are generally suitable for sewer discharge with residual oil emission levels of less than 100 mg/L, in compliance with statutory minimum requirements. Class I separators are suitable for open water discharge with residual oil emission levels of less than 5 mg/L, in compliance with statutory minimum requirements.

Using Aquafix Milieu's hydraulically optimized design, we have succeeded in keeping levels far below the 100 and 5 mg/L requirements. For example, our 30 L/s Class II separator emits less than 7 mg/L instead of 100 mg/L, and our 10 L/s Class I separator emits less than 0.8 mg/L instead of 5 mg/L. As you can see, Euromal®+ separators provide top quality and excellent performance.

Certification:

- CE approval mark, EC Declaration Of Performance (DOP).
- KIWA certificate in compliance with BRL 5070.
- LGA TÜV Rheinland performance and functionality statement.

Applications:

- Petrol stations.
- Garages.
- Busstations.
- Car washes.
- Loading bays.
- Car parks.
- Storage locations.
- Contractors.
- Transport companies.
- Car breakers.
- Transformer houses.
- Road rainwater run-offs.
- Army bases.
- Airfields.

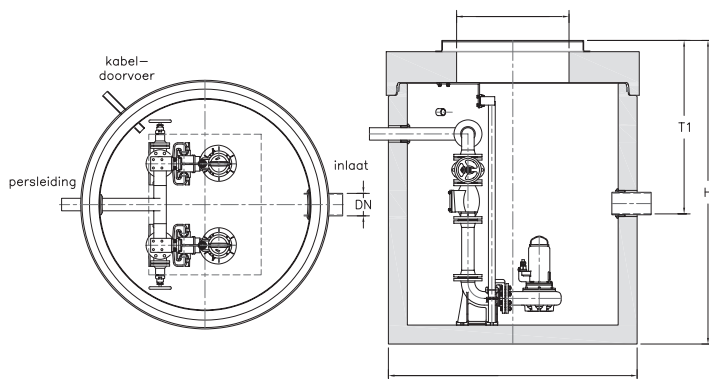
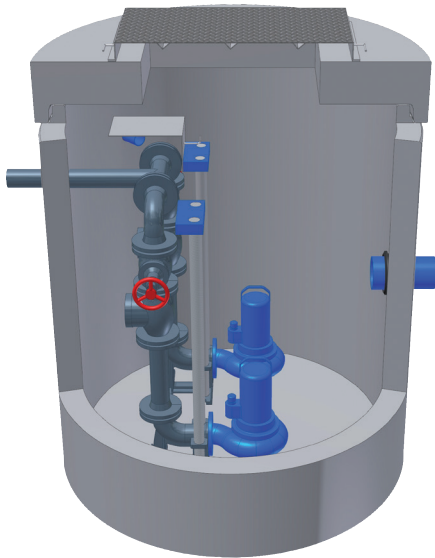
NEN-EN 858



We are currently looking for dealers/resellers. Our sales manager speaks English and German.

DWARSSTRAAT 6A, 2430 LAAKDAL BELGIË T: 013 - 66 83 03 F: 013 - 66 17 68 WWW.AQUAFIX.BE

AQUAFIX BELGIUM PRESENTS SUMPS & BUFFER TANKS



Benefits:

- Wide range of capacities from 200 to 60.000 L.
- Virtually all dimensions and installation depths available.
- Also suitable for chemical/corrosive wastewater (stainless steel/HDPE T-Grip models).
- Various models available with projecting reinforcements.
- Connection diameters from 32 to 630 mm. (rectangular openings also possible).
- Extensive range of pump brands available.
- Complete system construction and assembly. Systems delivered ready-to-connect.
- Customized solutions available, if required, within 24 hours, and subject to inventory levels.

Options:

- Heavy-duty traffic covers.
- Attachments (for increased installation depths).
- Switchboxes and alarms.
- Maintenance and repair contract.
- Manufactured to specification.

We proudly present our new range of sumps and buffer tanks to complement our existing ranges of grease traps, and oil/fuel and parallel plate separators. We manufacture these products at our factory in either circular or rectangular-shaped prefabricated reinforced concrete. These sumps are also available in HDPE and AISI 304/316 stainless steel (suitable for high water temperature applications).

HDPE and stainless steel sumps can be manufactured according to your own particular specifications to help solve all your wastewater management problems. Rectangular concrete sumps are available in the following sizes: 600 x 600 mm, 800 x 800 mm, 1000 x 1000 mm, 1100 x 1100 mm, 1250 x 1250 mm, 2250 x 1250 mm and 4000 x 1500 mm. Using our own assembly jig, we can manufacture any sump size required up to a maximum capacity of 60,000 L. You can determine the height of any of our models.

Circular concrete sumps are available with the following internal diameters: 800 mm, 1000 mm, 1200 mm, 1500 mm, 2000 mm, 2500 mm and 3000 mm. These sumps are also available in virtually any height to match your requirements and help solve your wastewater management problems.

At our modern manufacturing facility in Mijdrecht (NL), we can even install the pump of your choice. Main brands include Homa, Grundfos, ABS, ITT Flygt, KSB, Wilo and Tsurumi pumps, but also countless other brands. We can also fit auto-couplings, guide rails, ball check valves, cut-off valves, lifting chains, and even switchboxes and pressure transducers. Our office and field sales staff can advise you about the right pump to use. We will even provide a pipe calculation and quotation – without charge or obligation – to help you solve your wastewater management problem quickly and simply, and within budget.

We can fit all sumps and buffer tanks with your own choice of connections such as inlets, cable feeds, bleeds and outlets. We have facilities at our factory to drill cores in concrete sumps up to 630 mm in diameter. Using special rubber tubing, we can create watertight seals around these connections at any position or height specified, quickly and simply.

Certification:

- CE approval mark.
- Concrete is KIWA certified in compliance with BRL 5070.

Applications:

All situations in which the sewer is lower than the discharge point and where height differences need to be accommodated, such as:

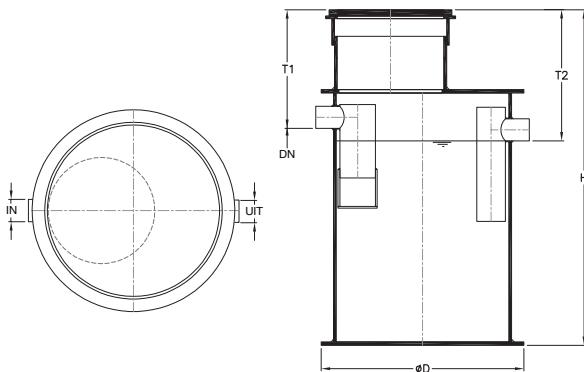
- Separator outlets.
- Loading docks.
- Site drainage.
- Hospitality industry.
- Toilet facilities.
- Army bases.
- Airfields.
- Camping sites.
- Homes/businesses.
- Industry.



We are currently looking for dealers/resellers. Our sales manager speaks English and German.

DWARSTRAT 6A, 2430 LAAKDAL BELGIË T: 013 - 66 83 03 F: 013 - 66 17 68 WWW.AQUAFIX.BE

AQUAFIX BELGIUM PRESENTS GREASE TRAPS & CATCH PITS



Benefits:

- Extensive range of separators from 2 to 100 l/s.
- Catch pits ranging from 200 to 60.000 L.
- Wide range of Euro (combined) models available.
- Hydraulically optimized design.
- Very high efficiency – far below statutory requirements.
- High durability achieved using high-grade materials.
- Quick and easy to position and install.
- NEN EN 1825 compliant manufacture.

Options:

- Heavy-duty traffic covers.
- HDPE inner linings.
- Attachments (for increased installation depths).
- Flexible connectors.
- Grease alarm.
- Inspection manholes.
- Inspection chambers.

Following extensive research, Aquafix Belgium's developers have successfully launched a new range of grease traps, oil/fuel, coalescence, and parallel plate separators, and catch pits. This new Euromal®+ line is unrivalled on the European market. We have developed custom solutions for every wastewater management problem – small or large – available from stock.

The Euromal®+ line's performance and functionality has been tested and certified by the approved LGA TÜV-Rheinland inspection institute in Würzburg, Germany. These separators have also been CE approved.

We manufacture all our separators in our factory in the Netherlands from watertight sumps made of high-grade, reinforced monolithic concrete (concrete grade: C60/75, environmental category: XA3, exposure class: EA3). Watertight seals between the lower basin and the cover slab are achieved using a spigot-and-socket joint fitted with an SBR top ring (supplied). We fit separators with a BEGU cover rated for traffic category B.125 kN as standard. For a small additional charge, we can also supply D.400 kN-rated covers.

We supply separators with a high-grade, two-component inner coating and for a small additional charge, 3 mm HDPE inner linings (e.g. for chemical-resistant usage). We manufacture separator interiors from durable KOMO-certified PE. Our oil, fuel and coalescence separators are fitted with an LGA-tested automatic float valve.

Euromal®+ grease traps are manufactured according to European NEN EN 1825 standards with residual grease emissions of less than 25 mg/L in compliance with statutory minimum requirements.

Using Aquafix Milieu's hydraulically optimized design, we have succeeded in keeping levels far below the 25 mg/L requirement. For example, our 10 L/s grease trap has residual grease emission levels of less than 9 mg/L.

As you can see, Euromal®+ separators provide top quality and excellent performance.

Certification:

- CE approval mark, EC Declaration Of Performance (DOP).
- KIWA certificate in compliance with BRL 5070.
- LGA TÜV Rheinland performance and functionality statement.

Applications:

- Restaurants, cafés and kitchens.
- Hotels and conferencing facilities.
- Hospitals and care homes.
- Canteens.
- Fish-processing businesses.
- Meat-processing businesses.
- Army bases and soup kitchens.
- Bakeries / Vegetable processors / Food industry.
- Pharmaceutical industry.

NEN-EN 1825



We are currently looking for dealers/resellers. Our sales manager speaks English and German.

DWARSSTRAAT 6A, 2430 LAAKDAL BELGIË T: 013 - 66 83 03 F: 013 - 66 17 68 WWW.AQUAFIX.BE