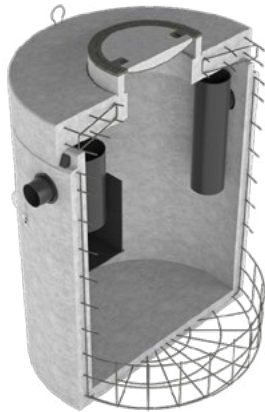


INTEGRAL GREASE SEPARATORS - CONCRETE TYPE EUROMAL+ TO EN 1825/DIN 4040-100



The Aquafix Euromal+ grease separators remove grease, animal and vegetable fats and oils out of wastewater from kitchen, restaurants and meat processing. These separators are equipped with integrated sludge trap and are manufactured according to the European standard EN 1825 / DIN 4040-100 and have a CE Mark and a EC Declaration of Performance.

The separators are tested, rated and certified for use and functionality by the accredited institute TÜV LGA. The separators are constructed and designed for static loads according to EN 1825 & DIN4040-100. The reinforced high quality concrete is watertight according to EN 206-1 & EN 8005. Minimum concrete class C 60/75, environmental classification XA3/EA3. The minimum wall thickness is 120mm.

The internal parts of the separator are made out of durable KOMO certified PE-HD. The separators are standard equipped with a BeGu (EN 124) manhole cover DN 600mm load class: B. 125kN. For a small surcharge you can opt for a cover class D. 400kN.

Benefits:

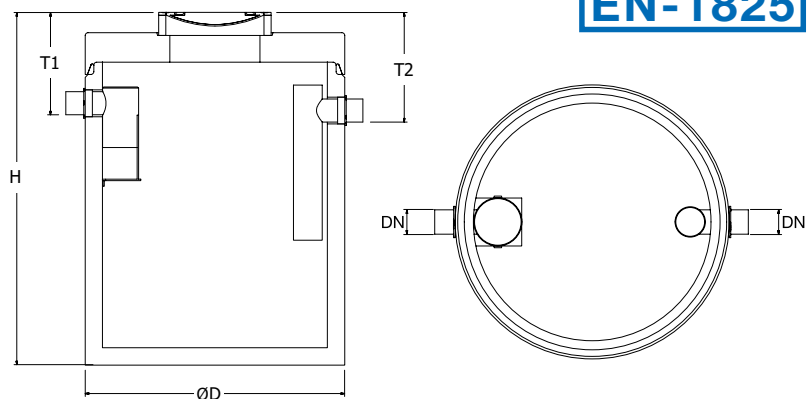
- For underground installation
- Compact design
- From high quality reinforced concrete
- Internal parts of durable PE (KOMO certified)
- Manufactured according to EN 1825/ DIN4040-100
- Customized production on request

Options:

- Available with many other internal sludge capacities
- Internal coating or PE-HD liners
- Pumping station
- Flexible connectors
- Grease level alarmsystem
- Control chamber

Certificates:

- CE Mark
- EC Declaration of Performance
- European Regulation Construction product 305/2011/EU
- LGA TÜV tested and certified for use and functionality



Type AQUAFIX®	Nominal Sizes	Sludge Storage	Fat Storage	DN Ø	D Ø	H Min.	T1	T2	Covers Qty	Total Weight	Emission* by TÜV
229.2831.0021	2	300 liter	181 liter	110	1250	1880	570	645	1	2.257	22 mg/ltr.*
229.2832.0022	2	600 liter	181 liter	110	1250	2375	570	645	1	2.753	22 mg/ltr.*
229.2833.0023	2	600 liter	350 liter	110	1250	2590	570	645	1	2.991	22 mg/ltr.*
229.2831.0041	4	400 liter	181 liter	125	1250	1880	585	655	1	2.307	15 mg/ltr.*
229.2833.0042	4	800 liter	181 liter	125	1250	2590	585	655	1	3.007	15 mg/ltr.*
229.2842.0043	4	1000 liter	267 liter	125	1450	2660	585	655	1	3.291	15 mg/ltr.*
229.2842.0071	7	700 liter	346 liter	160	1450	2260	630	700	1	3.309	11 mg/ltr.*
229.2844.0072	7	1400 liter	346 liter	160	1450	2930	630	700	1	4.100	11 mg/ltr.*
229.2852.0073	7	1400 liter	415 liter	160	1800	2420	640	710	1	4.657	11 mg/ltr.*
229.2851.0101	10	1000 liter	453 liter	160	1800	2170	640	710	1	4.293	9 mg/ltr.*
229.2854.0103	10	2000 liter	974 liter	160	1800	2915	640	710	1	5.374	9 mg/ltr.*
229.2861.0151	15	1500 liter	845 liter	200	2300	2140	680	750	2	5.988	23 mg/ltr.*
229.2864.0153	15	3000 liter	1692 liter	200	2300	2930	680	750	2	7.609	23 mg/ltr.*
229.2862.0201	20	2000 liter	845 liter	200	2300	2560	680	750	2	7.009	23 mg/ltr.*
229.2871.0204	20	4000 liter	1320 liter	200	2800	2510	680	750	2	10.609	23 mg/ltr.*
229.2870.0251	25	2500 liter	1592 liter	250	2800	2210	730	800	2	9.748	<25 mg/ltr.
229.2873.0254	25	7000 liter	1592 liter	250	2800	3120	730	800	2	12.520	<25 mg/ltr.

Dimension in mm, storage in liters and weight in kilograms

Subject to changes