

INLINE PENSTOCK



The Aquafix inline penstocks are used in surface water, sewer and process water pipeline systems. These penstocks are manufactured in our own factory from durable 1st class quality HDPE. The inline penstocks are fitted with a stainless steel manual operating control rod with HDPE handgrip, which is sealed in the main penstock housing. The inline penstocks are sealed on both sides with an EPDM rubber to guarantee watertightness. The penstocks are tested and found suitable for a maximum working water pressure of 1 to 3 MwC. The inlet and outlet are standard equipped with a spigot connection but can optionally also be equipped with a flange connection. On request it is possible to customize production in many dimensions. The inline penstocks can be used both above and below ground applications. This type of penstock is only suitable for sealing horizontal pipelines.

Features and benefits:

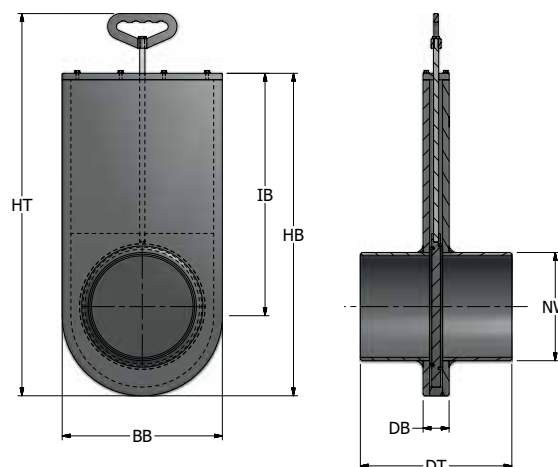
- Manufactured out durable HDPE durable and Stainless steel
- Easy fitting
- Customized production on request
- Maintenance free

Options:

- Welded control manhole and cover
- Flange connection
- Extended stainless steel control rod

Certificate:

- Aquafix Quality Certificate



Type Aquafix	NW	BB	HB	DB	HT	DT	IB	KG
660DA30110	110	245	485	70	965	370	415	6
660DA30125	125	255	485	70	965	370	420	7
660DA30160	160	290	565	70	1045	370	500	9
660DA30200	200	330	635	70	1115	370	570	11
660DA30250	250	380	745	70	1225	370	675	14
660DA30315	315	440	850	70	1330	370	780	18
660DA30400	400	560	1080	70	1660	430	1000	32
660DA30500	500	660	1180	70	1760	470	1100	40

Dimensions in mm and weight in kilograms

Subject to changes

AQUAFIX MILIEU®

YOUR PARTNER FOR THE FUTURE



Mijdrecht



Laakdal

Netherlands:
AQUAFIX MILIEU BV
Genieweg 20
NL-3641 RH MIJDRECHT
T: +31 297 26 29 29
info@aquafix.nl

Belgium:
AQUAFIX BELGIUM BVBA
Dwarsstraat 6A
BE-2430 LAAKDAL
T: +32 13 66 83 03
info@aquafix.be

WWW.AQUAFIX.EU