

Technical Information

AQUASTAR 130 D



AQUAFIX BELGIUM BVBA
Tel. 013 66 83 03, WWW.AQUAFIX.BE



AQUAFIX MILIEU B.V.
Tel. 0297 26 29 29, WWW.AQUAFIX.NL

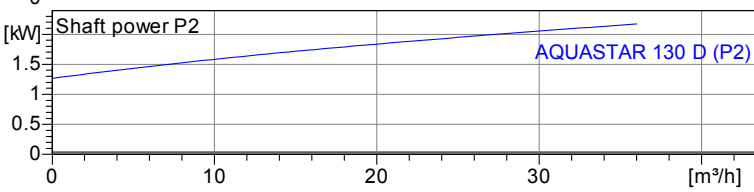
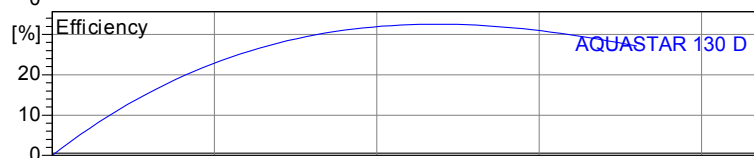
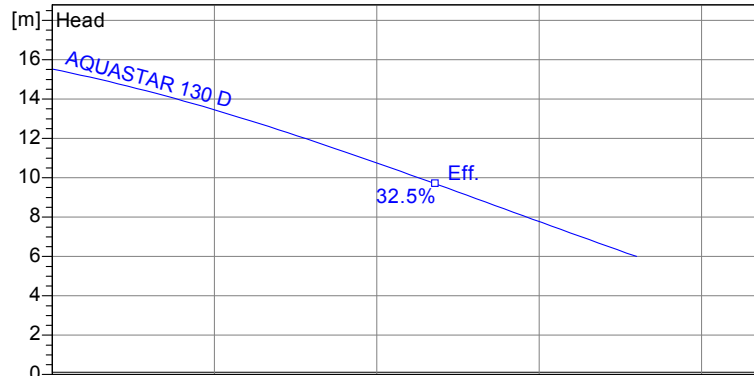
Operating data	
Flow	0 m ³ /h
Head	0 m
Shaft power P2	
Pump efficiency	s %
Required pump NPSH	
Pumpe type	Single head pump
No. of pumps	1
Fluid	Water, clean

Pump	
Pump Code	AQUASTAR 130 D
Impeller	Vortex impeller
Impeller size	130 mm
Solid size	45 mm
Discharge port	DN80
Suction port	s

Motor	
Rated voltage	400 V
Frequency	50 Hz
Rated power P2	2.1 kW
Rated speed	2900 rpm
Number of poles	2
Efficiency	70 %
Rated current	5.1 A
Degree of protection	IP 68

Materials	
Pressure cover	Grey cast iron EN-GJL-250
Motor housing	Grey cast iron EN-GJL-250
Impeller	Grey cast iron GG25
Collecting tank	Polyethylene
Motor shaft	Stainless steel 1.4104
Bolts	Stainless steel
O-Rings	Nitrile Rubber
Lip seals	Nitrile Rubber
Lower Bearing	Deep Groove Ball Bearing
Upper Bearing	Deep Groove Ball Bearing

Testnorm: ISO9906 Sect. 4.4.2



Dry well installation
Dimensions in mm,

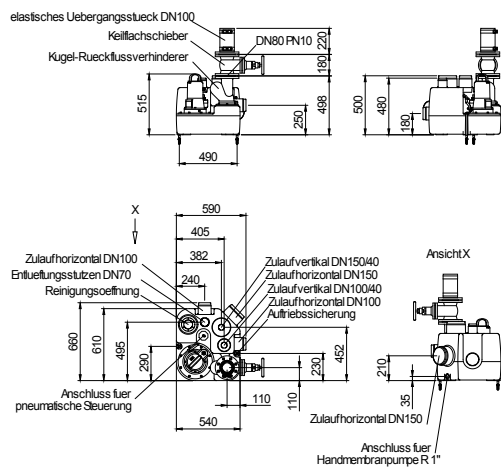


Table Dimensions (mm)

Project	Project no.:	Created by:	Page: 1
---------	--------------	-------------	------------

2.3.7 - 14/03/2012 (Build 345)

Performance Curve

AQUASTAR 130 D



AQUAFIX BELGIUM BVBA
Tel. 013 66 83 03, WWW.AQUAFIX.BE



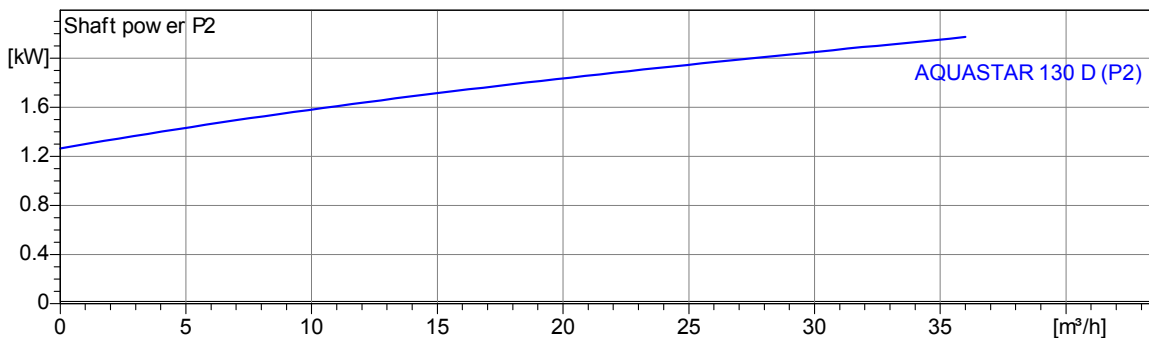
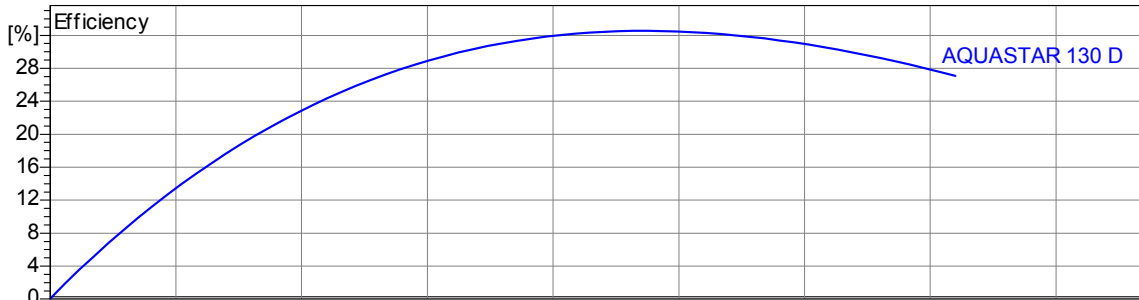
AQUAFIX MILIEU B.V.
Tel. 0297 26 29 29, WWW.AQUAFIX.NL

Impeller						
Impeller type: Vortex impeller	Solid size 45 mm	Ø:	Max. Ø: 130 mm	Min. Ø: 130 mm	Sel. Ø: 130 mm	

Operating data					
Speed: 2900 rpm	Frequency: 50 Hz	Duty point: Q = 0 m³/h	H = 0 m	Shaft power P2:	Discharge port: DN80

Power data referred to:
Water, clean [100%]; 20°C; 998.3kg/m³; 1.001mm²/s

Testnorm: ISO9906 Sect. 4.4.2



2.3.7 - 14/03/2012 (Build 345)

Project	Project no.:	Created by:	Page: 2
---------	--------------	-------------	------------

Dimensions

AQUASTAR 130 D



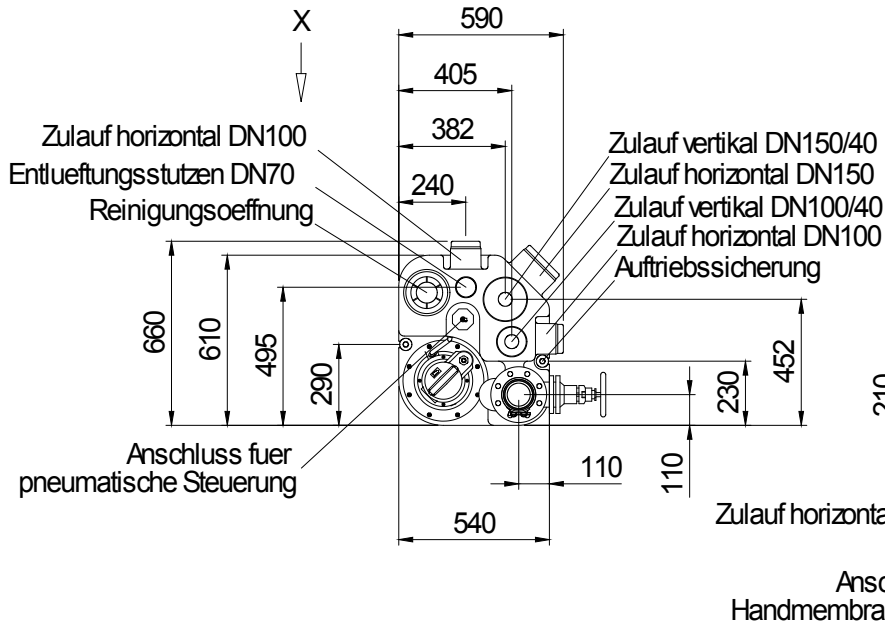
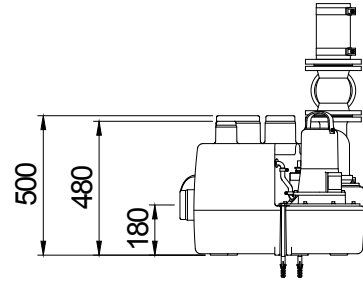
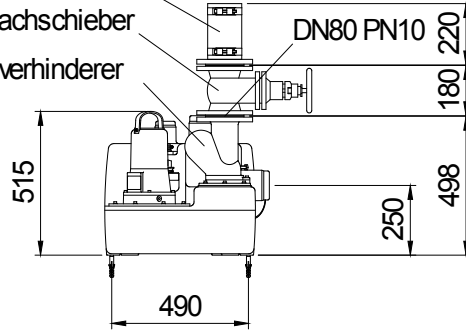
AQUAFIX BELGIUM BVBA
Tel. 013 66 83 03, WWW.AQUAFIX.BE



AQUAFIX MILIEU B.V.
Tel. 0297 26 29 29, WWW.AQUAFIX.NL

Dry well installation
Dimensions in mm, 1e

elastisches Uebergangsstueck DN100
Keilflachschieber
Kugel-Rueckflussverhinderer



Ansicht X

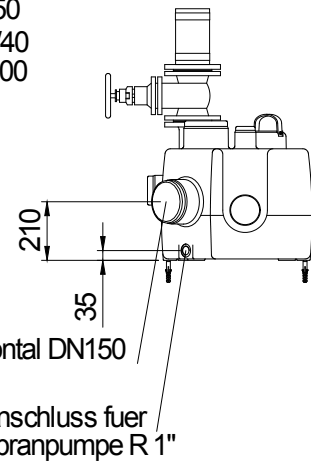


Table Dimensions (mm)

--	--	--

2.3.7 - 14/03/2012 (Build 345)

Technical Data

AQUASTAR 130 D



Operating data					
Flow	0 m³/h	m³/h	Head	0	m
Shaft power P2		kW	Geodetic head	0	m
Pump efficiency	s	%	Required pump NPSH		m
Pumpe type	Single head pump		No. of pumps	1	
Fluid	Water, clean		Temperature	20 °C	
Density	998.3	kg/m³	Kin. viscosity	1.005	mm²/s

Pump					
Pump Code	AQUASTAR 130 D		Speed	2900	rpm
Suction port			Head	Max.	15.5 m
Discharge port	DN80			Min.	6.0 m
Impeller type	Vortex impeller		Flow	Max.	36.0 m³/h
Solid size	45	mm	Pump efficiency max.	32.5 %	
Impeller Ø	130	mm	Required rated power max. P2	2.2	kW

Motor					
Motor version	Submersible motor		Insulation class	H	
Motor name	AM 122.3,0/2 D		Degree of protection	IP 68	
Frequency	50	Hz	Temperature class		
Rated power P1	3.0	kW			
Rated power P2	2.1	kW	Explosion protection		
Rated speed	2900	rpm	Efficiency at % rated power	100%	70 %
Rated voltage	400	V 3~		75%	%
Rated current	5.1	A		50%	%
Starting current, direct starting	30.6	A	cos phi at % rated power	100%	0.86
Starting current, star-delta	1C	A		75%	
Starting mode	Directly			50%	
Power cable	7G1,5		Control cable		
Type of power cable	H07RN-F		Type of control cable		
Cable length	3 m		Service factor	1.15	
Shaft seal	Lip seals		Nitrile Rubber		
Bearing	Lower Bearing		Deep Groove Ball Bearing		
	Upper Bearing		Deep Groove Ball Bearing		
Remarks	s				

Materials / Weight			
Pressure cover	Grey cast iron EN-GJL-250	Bolts	Stainless steel
Impeller	Grey cast iron GG25	O-Rings	Nitrile Rubber
Motor housing	Grey cast iron EN-GJL-250		
Collecting tank	Polyethylene		
Motor shaft	Stainless steel 1.4104		
Weight aggregat	73 kg		

Project	Project no.:	Created by:	Page: 4
---------	--------------	-------------	------------