

Technical Information

C270 WF



AQUAFIX BELGIUM BVBA
Tel. 013 66 83 03, WWW.AQUAFIX.BE



AQUAFIX MILIEU B.V.
Tel. 0297 26 29 29, WWW.AQUAFIX.NL

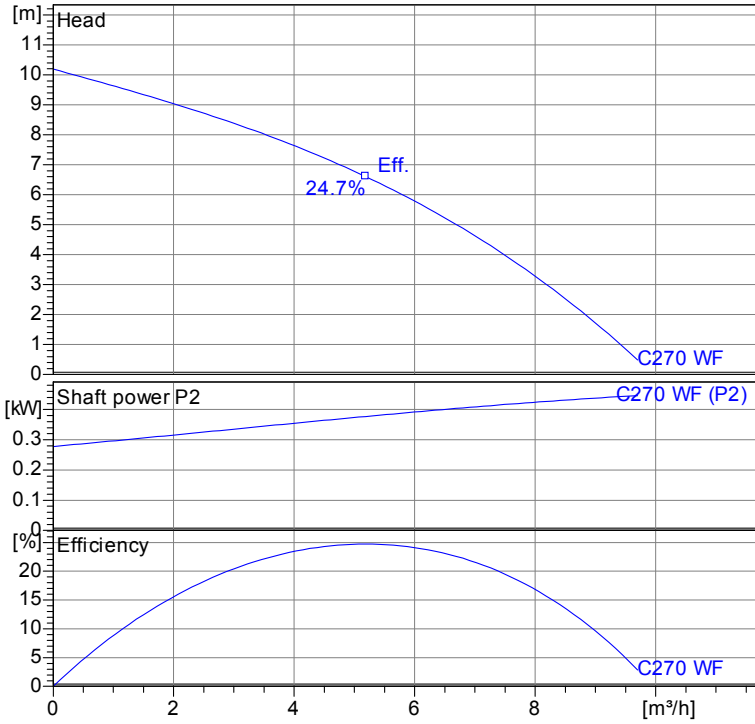
Operating data	
Flow	0 m ³ /h
Head	0 m
Shaft power P2	
Pump efficiency	s %
Required pump NPSH	
Pumpe type	Single head pump
No. of pumps	1
Fluid	Water, clean

Pump	
Pump Code	C270 WF
Impeller	Multi vane impeller
Impeller size	0 mm
Solid size	2 mm
Discharge port	R 1 1/4" IG
Suction port	s

Motor data	
Rated voltage	230 V
Frequency	50 Hz
Rated power P2	0.45 kW
Rated speed	2850 rpm
Number of poles	2
Efficiency	64 %
Rated current	3.2 A
Degree of protection	IP 68

Materials	
Suction strainer	Stainless steel 1.4301
Impeller	Wear resistant synthetic material
Pump housing	Stainless steel 1.4301
Motor housing	Stainless steel 1.4301
Motor shaft	Stainless steel 1.4301
Motor casing	Stainless steel 1.4301
Elastomeres	Nitrile Rubber
Bolts	Stainless steel 1.4301
Mechanical seal Carbon graphite/ chrome steel	
Lip seal	Nitrile Rubber
Lower Bearing	Deep Groove Ball Bearing
Upper Bearing	Deep Groove Ball Bearing

Testnorm: ISO9906 Sect. 4.4.2



Wet well installation
Dimensions in mm, le

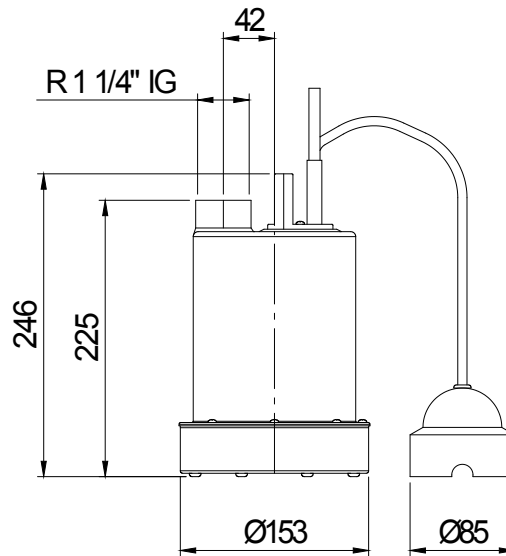


Table Dimensions (mm)

2.3.7 - 14/03/2012 (Build 345)

Project	Project no.:	Created by:	Page: 1
---------	--------------	-------------	------------

Performance Curve

C270 WF



AQUAFIX BELGIUM BVBA
Tel. 013 66 83 03, WWW.AQUAFIX.BE



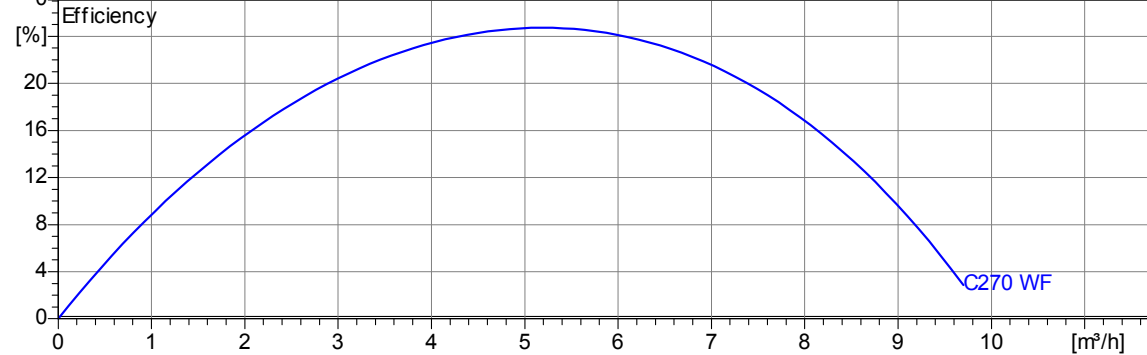
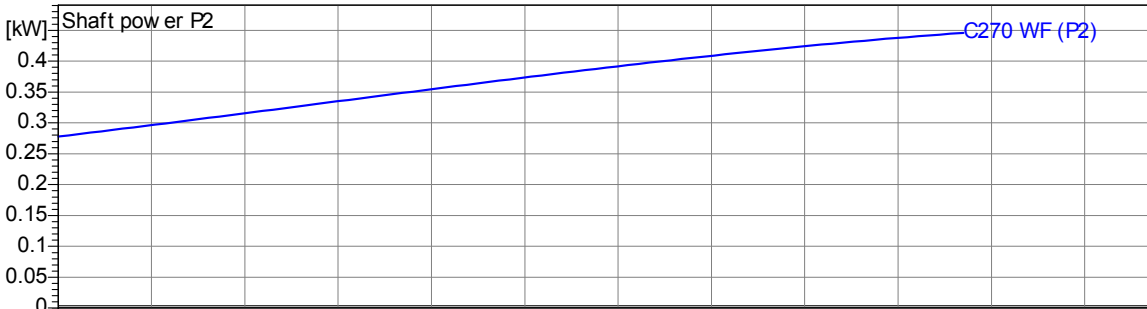
AQUAFIX MILIEU B.V.
Tel. 0297 26 29 29, WWW.AQUAFIX.NL

Impeller						
Impeller type: Multi vane impeller	Solid size 2 mm	Ø:	Max. Ø: 0 mm	Min. Ø: 0 mm	Sel. Ø: 0 mm	

Operating data					
Speed: 2850 rpm	Frequency: 50 Hz	Duty point: Q = 0 m³/h	H = 0 m	Shaft power P2:	Discharge port: R 1 ¼" IG

Power data referred to:
Water, clean [100%]; 20°C; 998.3kg/m³; 1.005mm²/s

Testnorm: ISO9906 Sect. 4.4.2



Project	Project no.:	Created by:	Page: 2
---------	--------------	-------------	------------

Dimensions

C270 WF



AQUAFIX BELGIUM BVBA
Tel. 013 66 83 03, WWW.AQUAFIX.BE



AQUAFIX MILIEU B.V.
Tel. 0297 26 29 29, WWW.AQUAFIX.NL

Wet well installation
Dimensions in mm, le

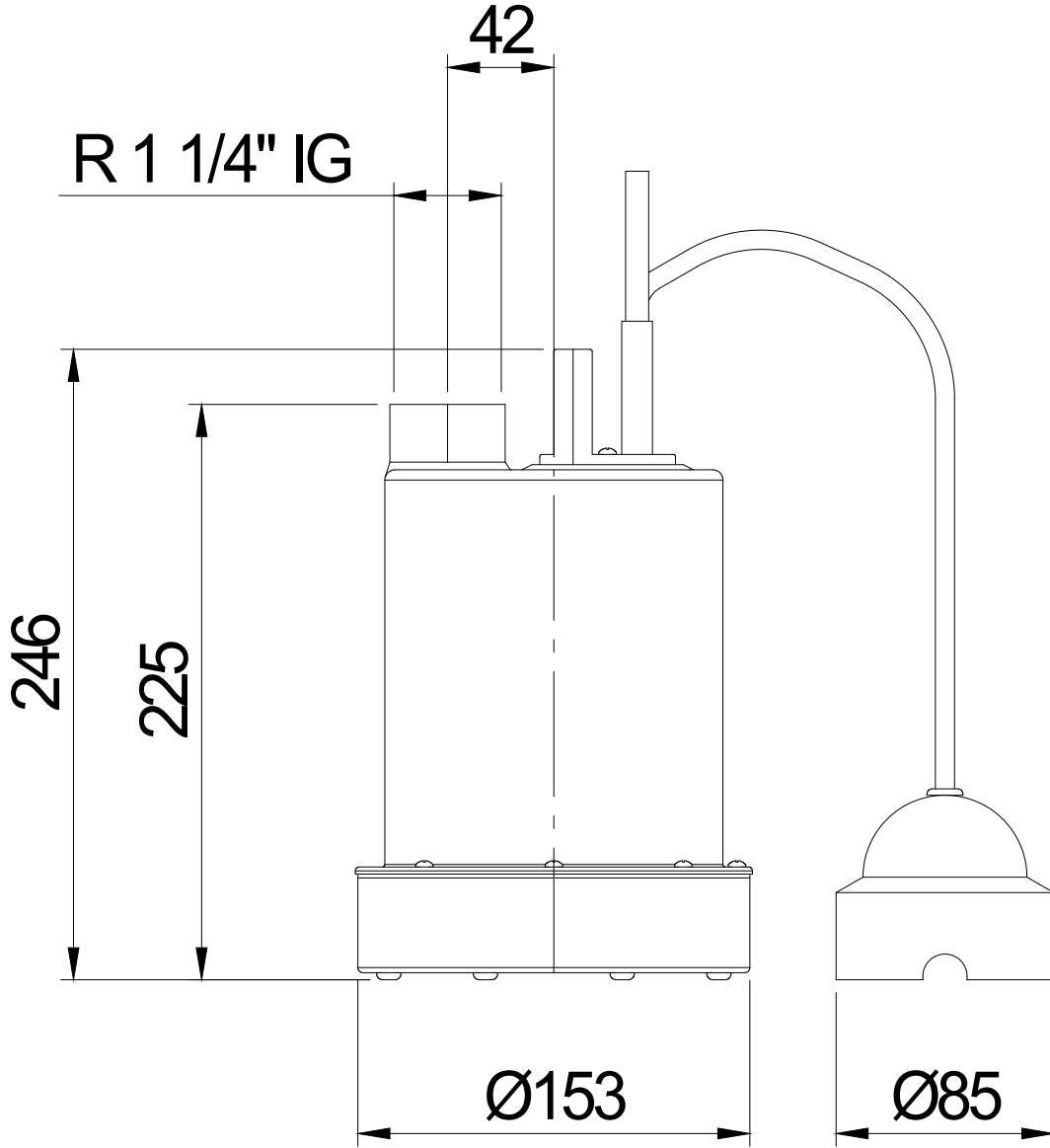


Table Dimensions (mm)

--	--	--	--	--	--

2.3.7 - 14/03/2012 (Build 345)

Technical Data

C270 WF



AQUAFIX BELGIUM BVBA
Tel. 013 66 83 03, WWW.AQUAFIX.BE



AQUAFIX MILIEU B.V.
Tel. 0297 26 29 29, WWW.AQUAFIX.NL

Operating data					
Flow	0 m ³ /h	m ³ /h	Head	0	m
Shaft power P2		kW	Geodetic head	0	m
Pump efficiency	s	%	Required pump NPSH		m
Pumpe type	Single head pump		No. of pumps	1	
Fluid	Water, clean		Temperature	20 °C	
Density	998.3	kg/m ³	Kin. viscosity	1.005	mm ² /s

Pump					
Pump Code	C270 WF		Speed	2850	rpm
Suction port			Head	Max.	10.2 m
Discharge port	R 1 1/4" IG			Min.	0.5 m
Impeller type	Multi vane impeller		Flow	Max.	9.7 m ³ /h
Solid size	2	mm	Pump efficiency max.	24.7 %	
Impeller Ø	0	mm	Required rated power max. P2	0.4	kW

Motor					
Motor version	Submersible motor		Insulation class	B	
Motor name	AM 0,7/2 W		Degree of protection	IP 68	
Frequency	50	Hz	Temperature class		
Rated power P1	0.70	kW			
Rated power P2	0.45	kW	Explosion protection		
Rated speed	2850	rpm	Efficiency at % rated power	100%	64 %
Rated voltage	230	V 1~		75%	
Rated current	3.2	A		50%	
Starting current, direct starting	19.2	A	cos phi at % rated power	100%	0.99
Starting current, star-delta	6.	A		75%	
Starting mode	Directly			50%	
Power cable	3G1		Control cable		
Type of power cable	H07RN-F		Type of control cable		
Cable length	10 m		Service factor	1.15	
Shaft seal	Mechanical seal		Carbon graphite/ chrome steel		
	Lip seal		Nitrile Rubber		
Bearing	Lower Bearing		Deep Groove Ball Bearing		
	Upper Bearing		Deep Groove Ball Bearing		
Remarks	s				

Materials / Weight			
Suction strainer	Stainless steel 1.4301	Motor casing	Stainless steel 1.4301
Pump housing	Stainless steel 1.4301	Bolts	Stainless steel 1.4301
Impeller	Wear resistant synthetic mat	Elastomeres	Nitrile Rubber
Motor housing	Stainless steel 1.4301		
Motor shaft	Stainless steel 1.4301		
Weight aggregat	7 kg		

Project	Project no.:	Created by:	Page: 4
---------	--------------	-------------	------------