

Technical Information

GRP56 D



AQUAFIX BELGIUM BVBA
Tel. 013 66 83 03, WWW.AQUAFIX.BE



AQUAFIX MILIEU B.V.
Tel. 0297 26 29 29, WWW.AQUAFIX.NL

Operating data	
Flow	0 m ³ /h
Head	0 m
Shaft power P2	
Pump efficiency	s %
Required pump NPSH	
Pumpe type	Single head pump
No. of pumps	1
Fluid	Water, clean

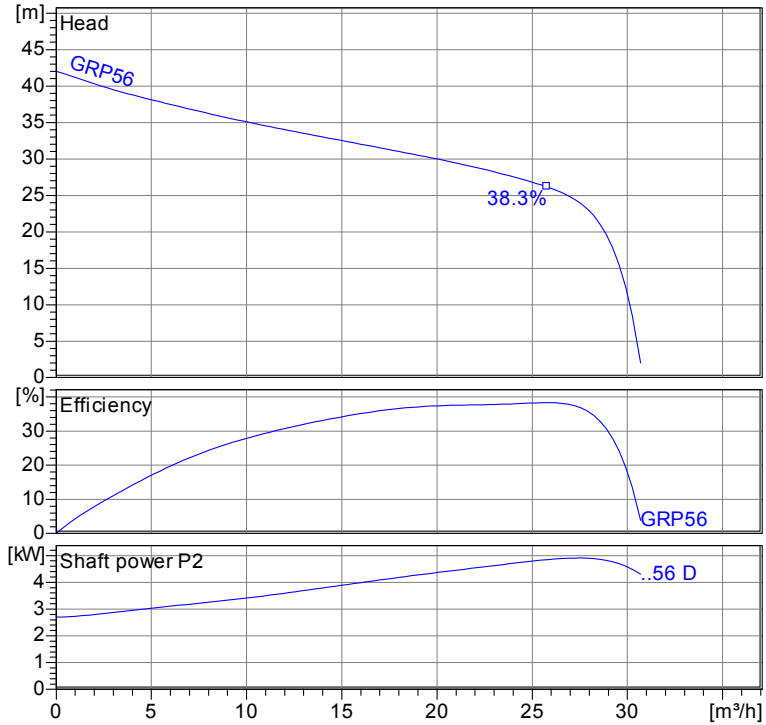
Pump	
Pump Code	GRP56 D
Impeller	Vane impeller with cutter sys.
Impeller size	178 mm
Solid size	s
Discharge port	DN50
Suction port	s

Motor	
Rated voltage	400 V
Frequency	50 Hz
Rated power P2	6.4 kW
Rated speed	2900 rpm
Number of poles	2
Efficiency	85 %
Rated current	13 A
Degree of protection	IP 68

Materials	
Motor housing	Grey cast iron EN-GJL-250
Impeller	Grey cast iron EN-GJL-250
Pump housing	Grey cast iron EN-GJL-250
Cutting system	Stainless steel 1.4122
Motor shaft	Stainless steel 1.4104
Bolts	Stainless steel
Elastomeres	Nitrile Rubber

Mechanical seal on motor side	SiC / SiC
Mechanical seal on medium side	SiC / SiC
Lower Bearing	Double row angular ball bearing
Upper Bearing	Deep Groove Ball Bearing

Testnorm: ISO9906 Sect. 4.4.2



Wet well installation with coupling kit
Dimensions in mm,

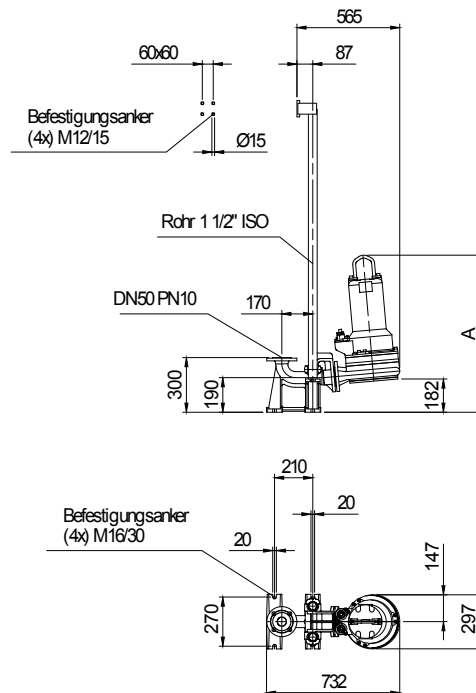


Table Dimensions (mm)

A 790

2.3.7 - 14/03/2012 (Build 345)

Project	Project no.:	Created by:	Page: 1
---------	--------------	-------------	------------

Performance Curve

GRP56 D



AQUAFIX BELGIUM BVBA
Tel. 013 66 83 03, WWW.AQUAFIX.BE



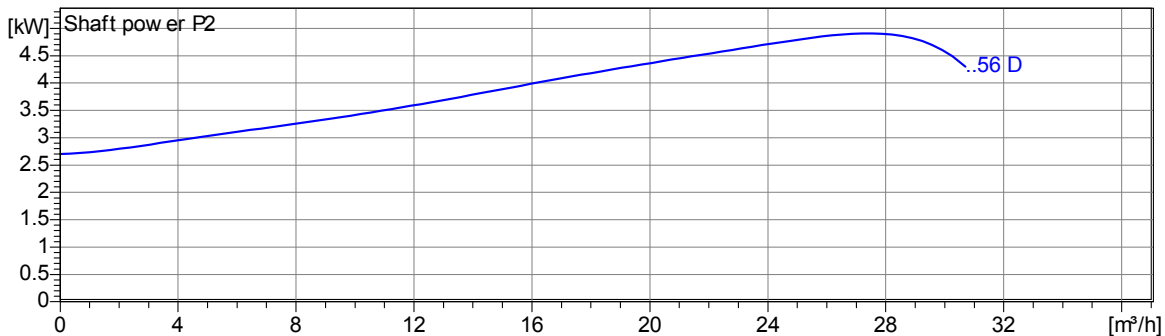
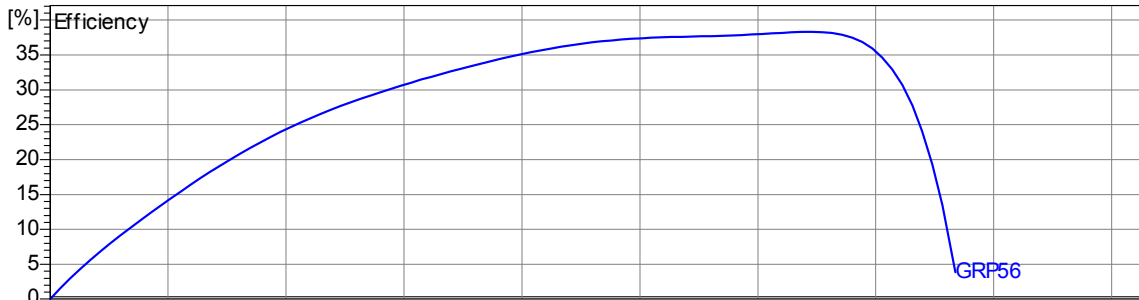
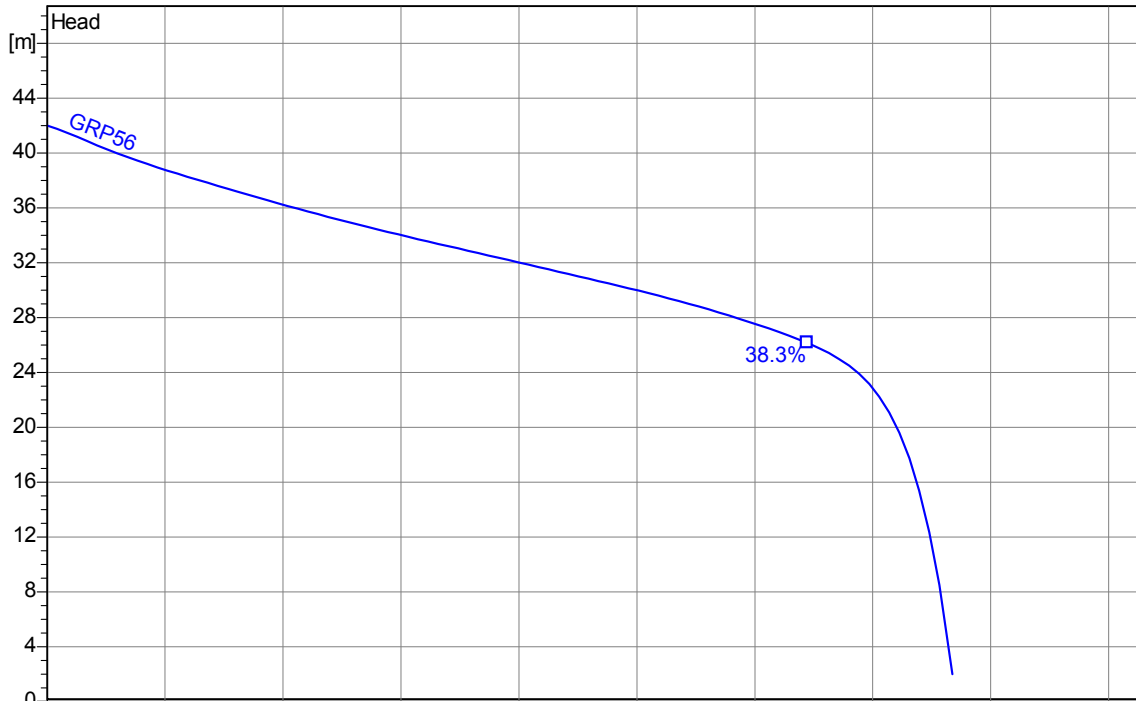
AQUAFIX MILIEU B.V.
Tel. 0297 26 29 29, WWW.AQUAFIX.NL

Impeller						
Impeller type: Vane impeller with cutter sys.	Solid size	Ø:	Max. Ø: 219 mm	Min. Ø: 178 mm	Sel. Ø: 178 mm	

Operating data					
Speed: 2900 rpm	Frequency: 50 Hz	Duty point: Q = 0 m³/h	H = 0 m	Shaft power P2:	Discharge port: DN50

Power data referred to:
Water, clean [100%]; 20°C; 998.3kg/m³; 1.005mm²/s

Testnorm: ISO9906 Sect. 4.4.2



2.3.7 - 14/03/2012 (Build 345)

Project	Project no.:	Created by:	Page: 2
---------	--------------	-------------	------------

Dimensions

GRP56 D



AQUAFIX BELGIUM BVBA
Tel. 013 66 83 03, WWW.AQUAFIX.BE



AQUAFIX MILIEU B.V.
Tel. 0297 26 29 29, WWW.AQUAFIX.NL

Wet well installation with coupling kit
Dimensions in mm, le

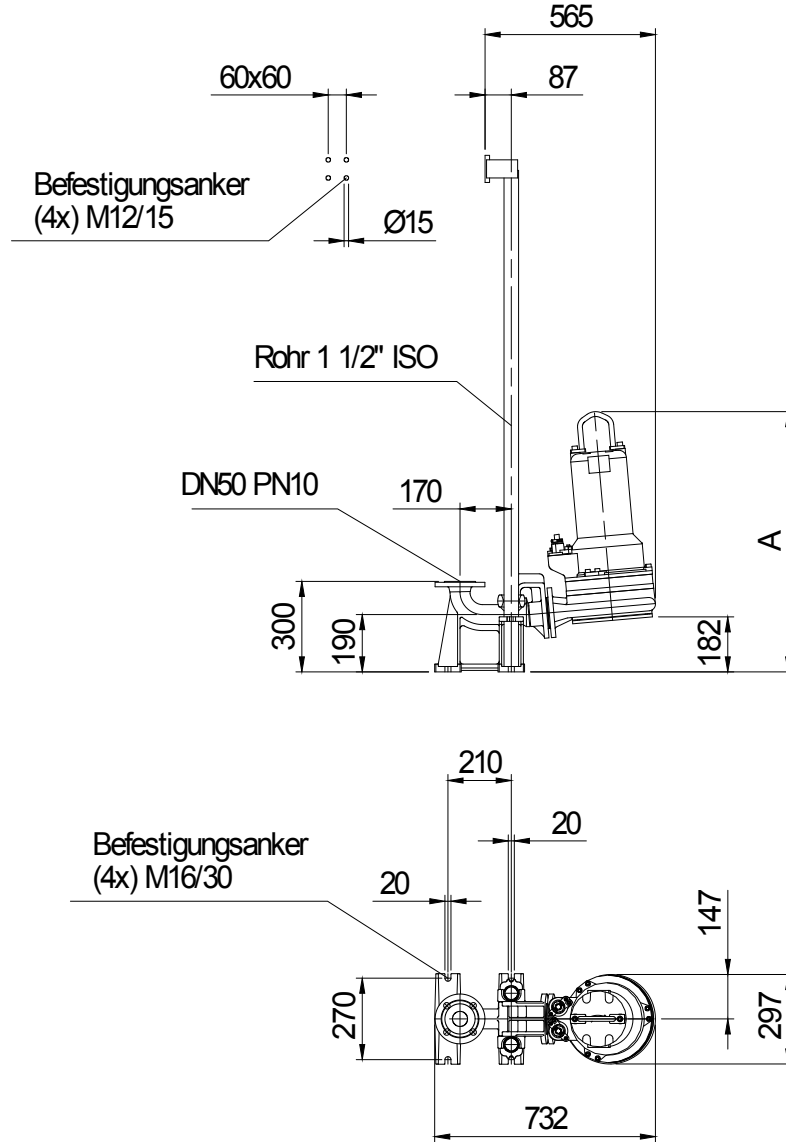


Table Dimensions

(mm)

A	790
---	-----

--

--

Technical Data

GRP56 D



AQUAFIX BELGIUM BVBA
Tel. 013 66 83 03, WWW.AQUAFIX.BE



AQUAFIX MILIEU B.V.
Tel. 0297 26 29 29, WWW.AQUAFIX.NL

Operating data					
Flow	0 m³/h	m³/h	Head	0	m
Shaft power P2		kW	Geodetic head	0	m
Pump efficiency	s	%	Required pump NPSH		m
Pumpe type	Single head pump		No. of pumps	1	
Fluid	Water, clean		Temperature	20 °C	
Density	998.3	kg/m³	Kin. viscosity	1.005	mm²/s

Pump					
Pump Code	GRP56 D		Speed	2900	rpm
Suction port			Head	Max.	42.0 m
Discharge port	DN50			Min.	2.0 m
Impeller type	Vane impeller with cutter s		Flow	Max.	30.7 m³/h
Solid size		mm	Pump efficiency max.	38.3 %	
Impeller Ø	178	mm	Required rated power max. P2	4.3	kW

Motor					
Motor version	Submersible motor		Insulation class	H	
Motor name	AM 173.7,5/2 T		Degree of protection	IP 68	
Frequency	50	Hz	Temperature class	T4	
Rated power P1	7.5	kW			
Rated power P2	6.4	kW	Explosion protection		
Rated speed	2900	rpm	Efficiency at % rated power	100%	85 %
Rated voltage	400	V 3~		75%	85 %
Rated current	13.0	A		50%	84 %
Starting current, direct starting	68.9	A		100%	0.88
Starting current, star-delta	23.0	A	cos phi at % rated power	75%	0,81
Starting mode	Star-delta			50%	0,79
Power cable	7G1.5		Control cable	5G1.5	
Type of power cable	H07RN-F		Type of control cable	H07RN-F	
Cable length	10 m		Service factor	1.15	
Shaft seal	Mechanical seal on motor side		SiC / SiC		
	Mechanical seal on medium side		SiC / SiC		
Bearing	Lower Bearing		Double row angular ball bearing		
	Upper Bearing		Deep Groove Ball Bearing		
Remarks	s				

Materials / Weight			
Motor housing	Grey cast iron EN-GJL-250	Bolts	Stainless steel
Pump housing	Grey cast iron EN-GJL-250	Elastomeres	Nitrile Rubber
Impeller	Grey cast iron EN-GJL-250		
Cutting system	Stainless steel 1.4122		
Motor shaft	Stainless steel 1.4104		
Weight aggregat	104 kg		

Project	Project no.:	Created by:	Page: 4
---------	--------------	-------------	------------

2.3.7 - 14/03/2012 (Build 345)