

Technical Information

MX3456-P84



AQUAFIX BELGIUM BVBA
Tel. 013 66 83 03, WWW.AQUAFIX.BE



AQUAFIX MILIEU B.V.
Tel. 0297 26 29 29, WWW.AQUAFIX.NL

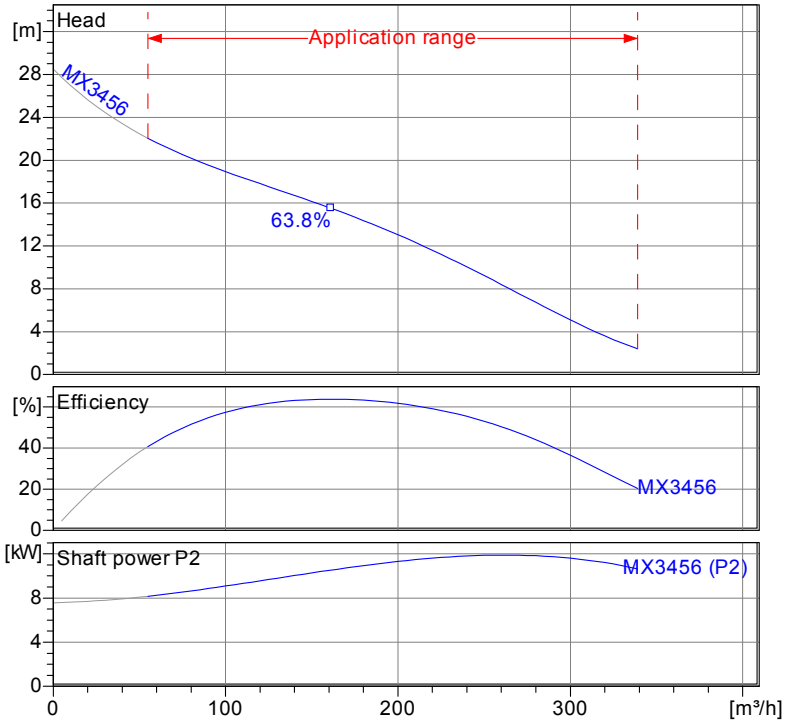
Operating data	
Flow	0 m ³ /h
Head	0 m
Shaft power P2	
Pump efficiency	s %
Required pump NPSH	
Pumpe type	Single head pump
No. of pumps	1
Fluid	Water, clean

Pump	
Pump Code	MX3456-P84
Impeller	Single channel impeller
Impeller size	290 mm
Solid size	100 mm
Discharge port	DN150
Suction port	DN150

Motor	
Rated voltage	400 V
Frequency	50 Hz
Rated power P2	12.2 kW
Rated speed	1450 rpm
Number of poles	4
Efficiency	87 %
Rated current	23 A
Degree of protection	IP 68

Materials	
Motor housing	Grey cast iron EN-GJL-250
Impeller	Grey cast iron EN-GJL-250
Pump housing	Grey cast iron EN-GJL-250
Wear ring	Bronze
Motor shaft	Stainless steel 1.4104
Bolts	Stainless steel
Elastomeres	Nitrile Rubber
Mechanical seal on motor side	SiC / SiC
Mechanical seal on medium side	SiC / SiC
Lower Bearing	Two angular ball bearings
Upper Bearing	Deep Groove Ball Bearing

Testnorm: P2>10kW, ISO9906
P2<10kW, ISO9906



Wet well installation with coupling kit DN150 (52-62)
Dimensions in mm,

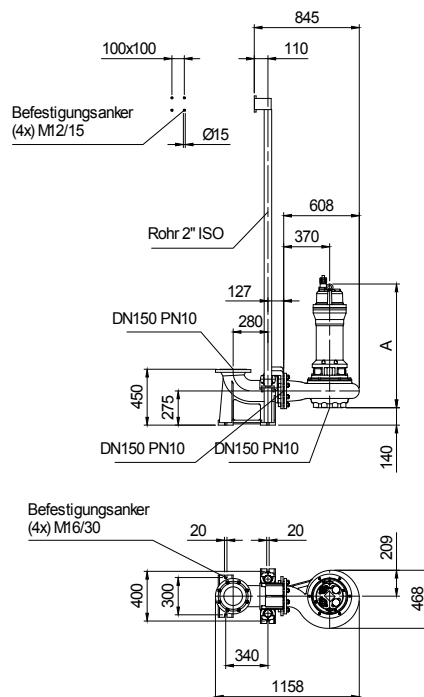


Table Dimensions (mm)

A 996

2.3.7 - 14/03/2012 (Build 345)

Project	Project no.:	Created by:	Page: 1
---------	--------------	-------------	------------

Performance Curve

MX3456-P84



AQUAFIX BELGIUM BVBA
Tel. 013 66 83 03, WWW.AQUAFIX.BE



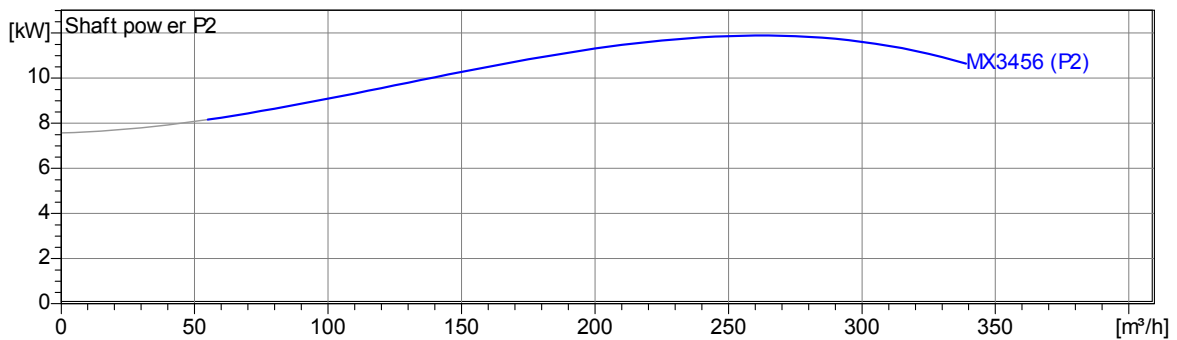
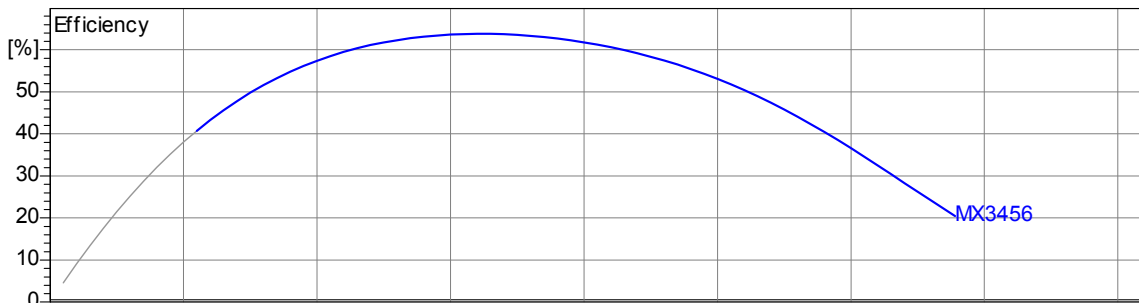
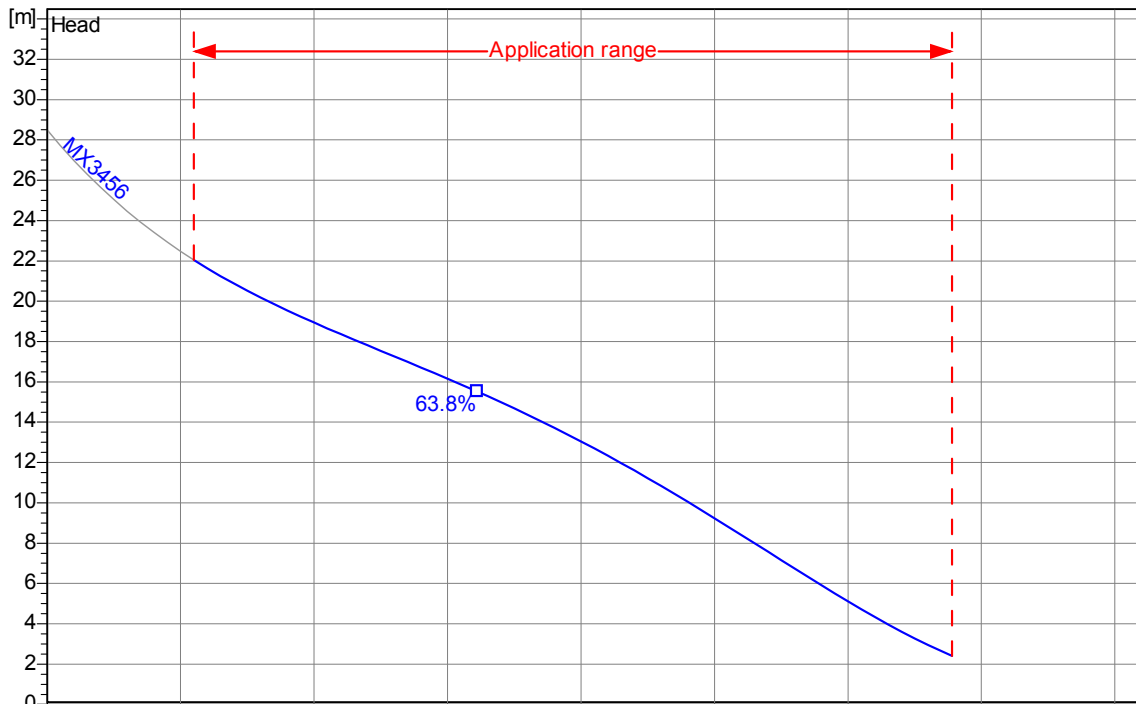
AQUAFIX MILIEU B.V.
Tel. 0297 26 29 29, WWW.AQUAFIX.NL

Impeller						
Impeller type: Single channel impeller	Solid size 100 mm	Ø:	Max. Ø: 313 mm	Min. Ø: 263 mm	Sel. Ø: 290 mm	

Operating data					
Speed: 1450 rpm	Frequency: 50 Hz	Duty point: Q = 0 m³/h	H = 0 m	Shaft power P2:	Discharge port: DN150

Power data referred to:
Water, clean [100%]; 20°C; 998.3kg/m³; 1.001mm²/s

Testnorm: **P2>10kW, ISO9906**
P2<10kW, ISO9906



2.3.7 - 14/03/2012 (Build 345)

Project	Project no.:	Created by:	Page: 2
---------	--------------	-------------	------------

Dimensions

MX3456-P84



AQUAFIX BELGIUM BVBA
Tel. 013 66 83 03, WWW.AQUAFIX.BE



AQUAFIX MILIEU B.V.
Tel. 0297 26 29 29, WWW.AQUAFIX.NL

Wet well installation with coupling kit DN150 (52-62)
Dimensions in mm, le

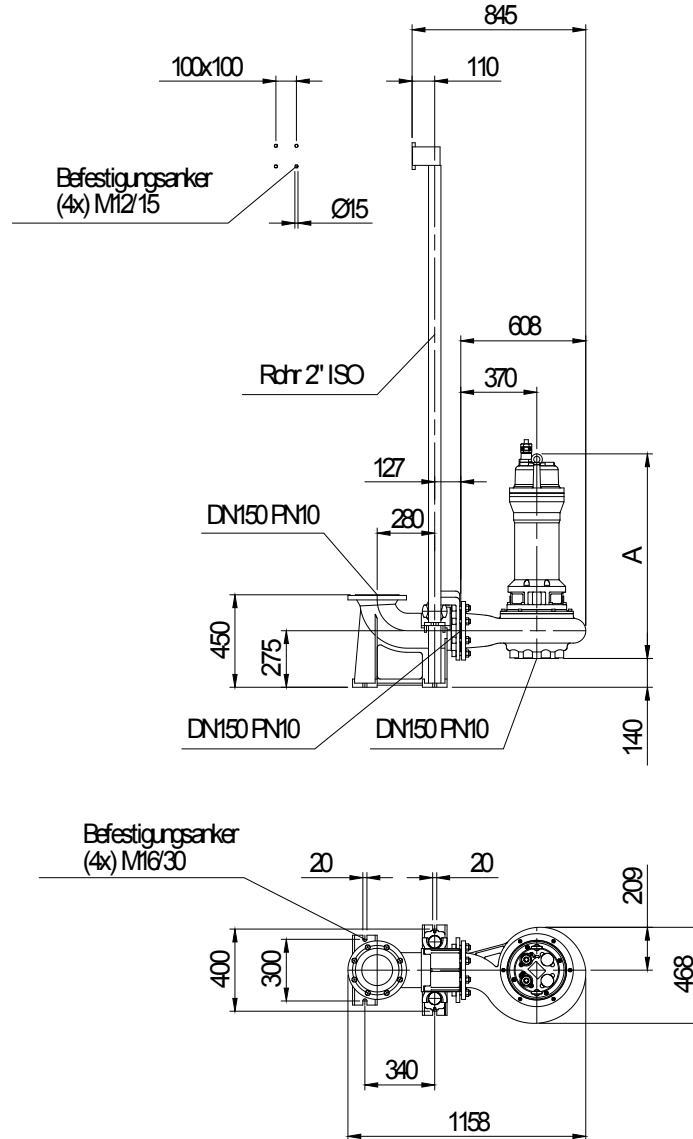


Table Dimensions

(mm)

A	996
---	-----

996

Technical Data

MX3456-P84



AQUAFIX BELGIUM BVBA
Tel. 013 66 83 03, WWW.AQUAFIX.BE



AQUAFIX MILIEU B.V.
Tel. 0297 26 29 29, WWW.AQUAFIX.NL

Operating data					
Flow	0 m³/h	m³/h	Head	0	m
Shaft power P2		kW	Geodetic head	0	m
Pump efficiency	s	%	Required pump NPSH		m
Pumpe type	Single head pump		No. of pumps	1	
Fluid	Water, clean		Temperature	20 °C	
Density	998.3	kg/m³	Kin. viscosity	1.005	mm²/s

Pump					
Pump Code	MX3456-P84		Speed	1450	rpm
Suction port	DN150		Head	Max.	22.0 m
Discharge port	DN150			Min.	2.4 m
Impeller type	Single channel impeller		Flow	Max.	339.0 m³/h
Solid size	100	mm	Pump efficiency max.	63.8 %	
Impeller Ø	290	mm	Required rated power max. P2	10.6 kW	

Motor					
Motor version	Submersible motor		Insulation class	H	
Motor name	AM 204.17/4 P		Degree of protection	IP 68	
Frequency	50	Hz	Temperature class	T4	
Rated power P1	14.0	kW			
Rated power P2	12.2	kW	Explosion protection		
Rated speed	1450	rpm	Efficiency at % rated power	100%	87 %
Rated voltage	400	V 3~		75%	89 %
Rated current	23.0	A		50%	89 %
Starting current, direct starting	128.8	A	cos phi at % rated power	100%	0.87
Starting current, star-delta	42.9	A		75%	0.81
Starting mode	Star-delta			50%	0,74
Power cable	10G1.5		Control cable		
Type of power cable	H07RN-F PLUS		Type of control cable		
Cable length	10 m		Service factor	1.15	
Shaft seal	Mechanical seal on motor side		SiC / SiC		
	Mechanical seal on medium side		SiC / SiC		
Bearing	Lower Bearing		Two angular ball bearings		
	Upper Bearing		Deep Groove Ball Bearing		
Remarks	s				

Materials / Weight			
Motor housing	Grey cast iron EN-GJL-250	Bolts	Stainless steel
Pump housing	Grey cast iron EN-GJL-250	Elastomeres	Nitrile Rubber
Impeller	Grey cast iron EN-GJL-250		
Wear ring	Bronze		
Motor shaft	Stainless steel 1.4104		
Weight aggregat	216 kg		

Project	Project no.:	Created by:	Page: 4
---------	--------------	-------------	------------

2.3.7 - 14/03/2012 (Build 345)