

Technical Information

TCV620 D



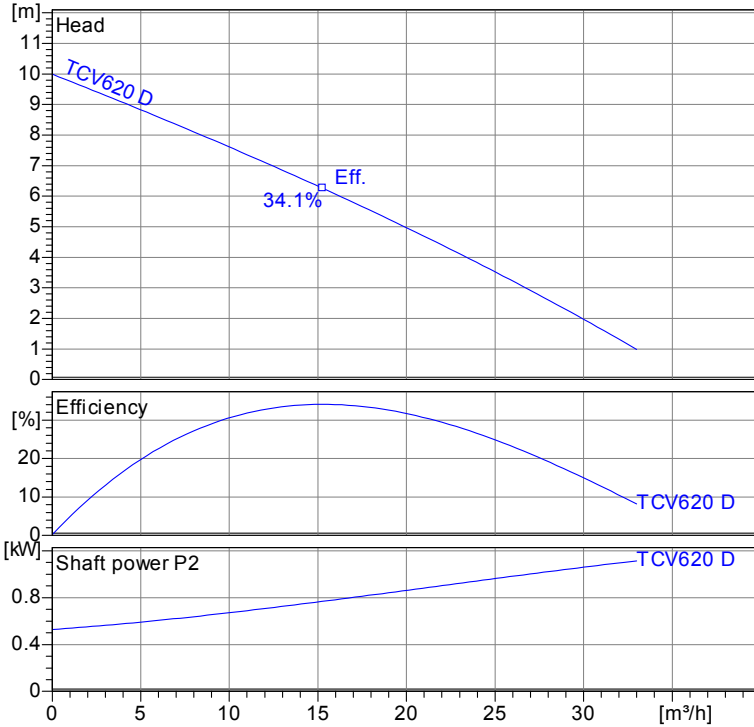
AQUAFIX BELGIUM BVBA
Tel. 013 66 83 03, WWW.AQUAFIX.BE



AQUAFIX MILIEU B.V.
Tel. 0297 26 29 29, WWW.AQUAFIX.NL

| | |
|------------------------|-------------------------------|
| Operating data | |
| Flow | 0 m ³ /h |
| Head | 0 m |
| Shaft power P2 | |
| Pump efficiency | s % |
| Required pump NPSH | |
| Pumpe type | Single head pump |
| No. of pumps | 1 |
| Fluid | Water, clean |
| Pump | |
| Pump Code | TCV620 D |
| Impeller | Vortex impeller |
| Impeller size | 0 mm |
| Solid size | 65 mm |
| Discharge port | R 2 1/2" IG |
| Suction port | s |
| Motor | |
| Rated voltage | 400 V |
| Frequency | 50 Hz |
| Rated power P2 | 1.4 kW |
| Rated speed | 2900 rpm |
| Number of poles | 2 |
| Efficiency | 59 % |
| Rated current | 4.5 A |
| Degree of protection | IP 68 |
| Materials | |
| Suction strainer | Stainless steel 1.4301 |
| Pump housing | Stainless steel 1.4301 |
| Motor housing | Stainless steel 1.4301 |
| Impeller | Stainless steel 1.4301 |
| Motor shaft | Stainless steel 1.4305 |
| Bolts | Stainless steel |
| O-Rings | Nitrile Rubber |
| Mechanical seal | Carbon/graphite/ chrome steel |
| Lip seal on motor side | Nitrile Rubber |
| Lower Bearing | Deep Groove Ball Bearing |
| Upper Bearing | Deep Groove Ball Bearing |

Testnorm: ISO9906 Sect. 4.4.2



Wet well installation with coupling kit
Dimensions in mm,

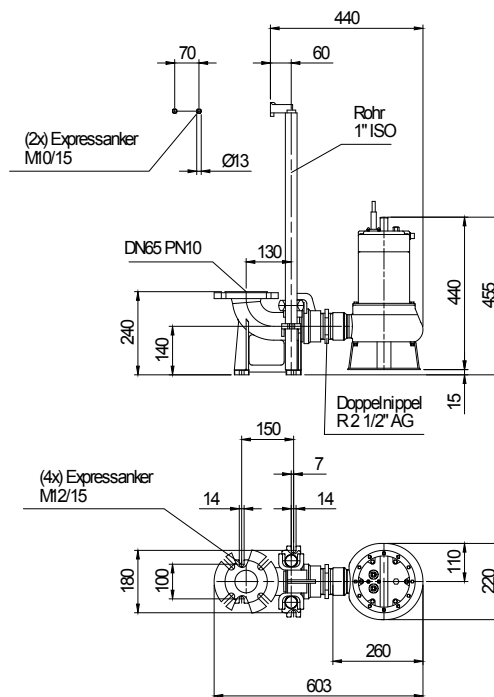


Table Dimensions (mm)

2.3.7 - 14/03/2012 (Build 345)

| | | | |
|---------|--------------|-------------|------------|
| Project | Project no.: | Created by: | Page: 1 |
|---------|--------------|-------------|------------|

Performance Curve

TCV620 D



AQUAFIX BELGIUM BVBA
Tel. 013 66 83 03, WWW.AQUAFIX.BE



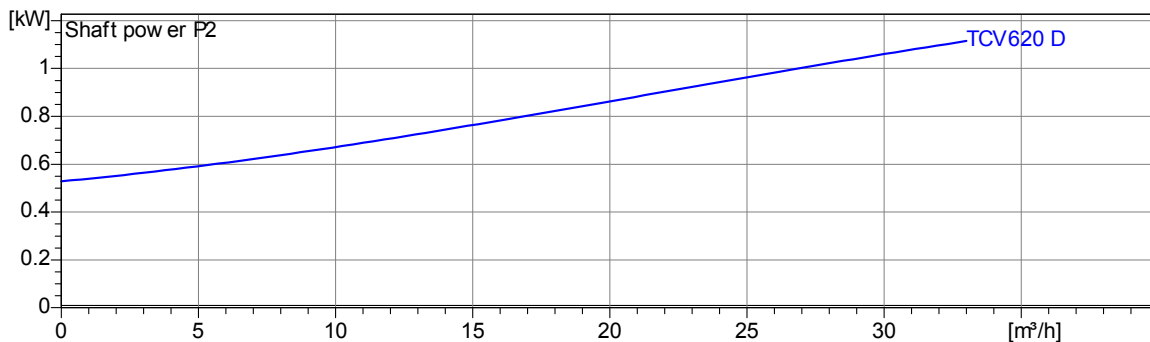
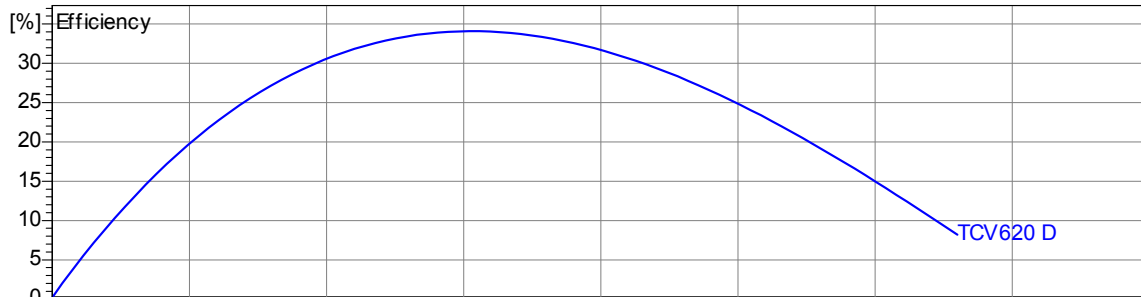
AQUAFIX MILIEU B.V.
Tel. 0297 26 29 29, WWW.AQUAFIX.NL

| Impeller | | | | | | |
|-----------------------------------|---------------------|----|-----------------|-----------------|-----------------|--|
| Impeller type: Vortex impeller | Solid size 65 mm | Ø: | Max. Ø: 0 mm | Min. Ø: 0 mm | Sel. Ø: 0 mm | |

| Operating data | | | | | |
|---------------------------|----------------------------|----------------------------------|----------------|-----------------|-------------------------------------|
| Speed: 2900 rpm | Frequency: 50 Hz | Duty point: Q = 0 m³/h | H = 0 m | Shaft power P2: | Discharge port: R 2 ½" IG |

Power data referred to:
Water, clean [100%]; 20°C; 998.3kg/m³; 1.005mm²/s

Testnorm: ISO9906 Sect. 4.4.2



2.3.7 - 14/03/2012 (Build 345)

| | | | |
|---------|--------------|-------------|------------|
| Project | Project no.: | Created by: | Page: 2 |
|---------|--------------|-------------|------------|

Dimensions

TCV620 D



AQUAFIX BELGIUM BVBA
Tel. 013 66 83 03, WWW.AQUAFIX.BE



AQUAFIX MILIEU B.V.
Tel. 0297 26 29 29, WWW.AQUAFIX.NL

Wet well installation with coupling kit
Dimensions in mm, le

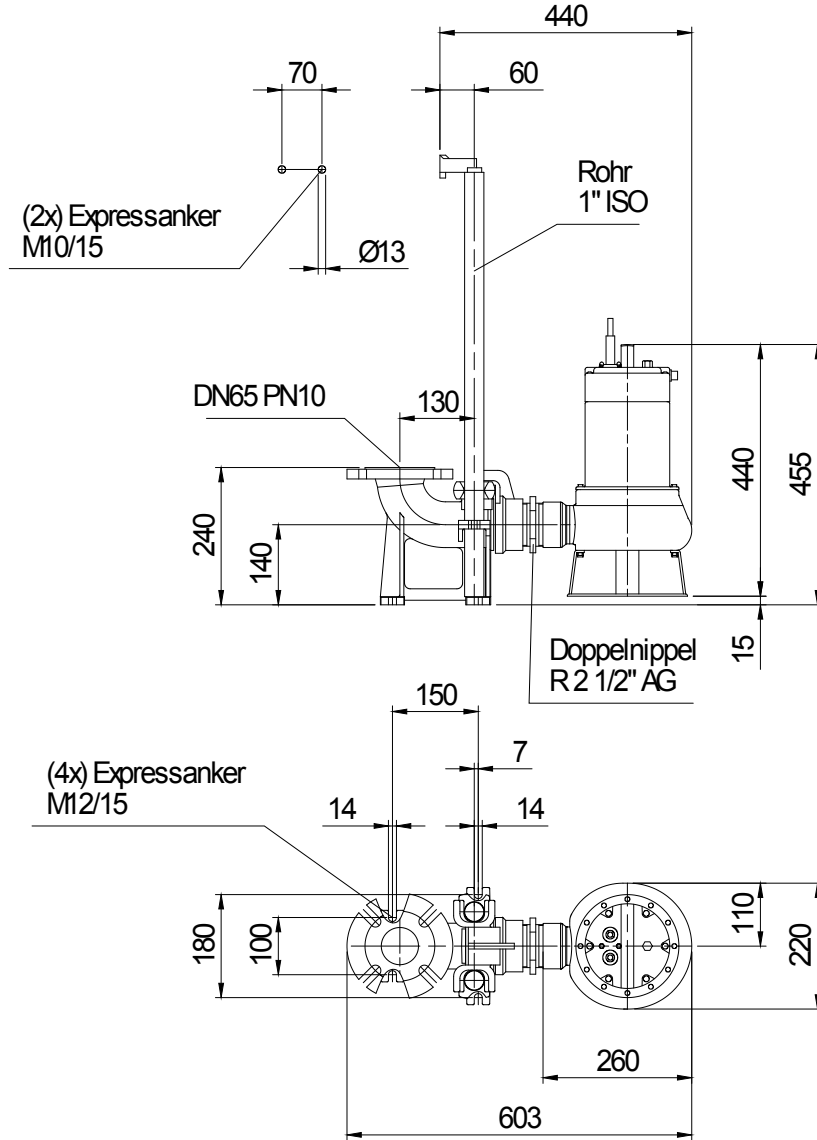


Table Dimensions (mm)

| | | | |
|--|--|--|--|
| | | | |
|--|--|--|--|

Technical Data

TCV620 D



AQUAFIX BELGIUM BVBA
Tel. 013 66 83 03, WWW.AQUAFIX.BE



AQUAFIX MILIEU B.V.
Tel. 0297 26 29 29, WWW.AQUAFIX.NL

| Operating data | | | | | |
|-----------------|---------------------|-------------------|--------------------|-------|--------------------|
| Flow | 0 m ³ /h | m ³ /h | Head | 0 | m |
| Shaft power P2 | | kW | Geodetic head | 0 | m |
| Pump efficiency | s | % | Required pump NPSH | | m |
| Pumpe type | Single head pump | | No. of pumps | 1 | |
| Fluid | Water, clean | | Temperature | 20 °C | |
| Density | 998.3 | kg/m ³ | Kin. viscosity | 1.005 | mm ² /s |

| Pump | | | | | |
|----------------|-----------------|----|------------------------------|--------|------------------------|
| Pump Code | TCV620 D | | Speed | 2900 | rpm |
| Suction port | | | Head | Max. | 10.0 m |
| Discharge port | R 2 1/2" IG | | | Min. | 1.0 m |
| Impeller type | Vortex impeller | | Flow | Max. | 33.0 m ³ /h |
| Solid size | 65 | mm | Pump efficiency max. | 34.1 % | |
| Impeller Ø | 0 | mm | Required rated power max. P2 | 1.1 | kW |

| Motor | | | | | |
|-----------------------------------|--------------------------------|------|-------------------------------|-------|------|
| Motor version | Submersible motor | | Insulation class | F | |
| Motor name | AM 2,0/2 D | | Degree of protection | IP 68 | |
| Frequency | 50 | Hz | Temperature class | | |
| Rated power P1 | 2.4 | kW | | | |
| Rated power P2 | 1.4 | kW | Explosion protection | | |
| Rated speed | 2900 | rpm | Efficiency at % rated power | 100% | 59 % |
| Rated voltage | 400 | V 3~ | | 75% | % |
| Rated current | 4.5 | A | | 50% | % |
| Starting current, direct starting | 27.0 | A | cos phi at % rated power | 100% | 0.96 |
| Starting current, star-delta | 9. | A | | 75% | |
| Starting mode | Directly | | | 50% | |
| Power cable | 4G1,5 | | Control cable | | |
| Type of power cable | H07RN-F | | Type of control cable | | |
| Cable length | 10 m | | Service factor | 1.15 | |
| Shaft seal | Mechanical seal on medium side | | Carbon graphite/ chrome steel | | |
| | Lip seal on motor side | | Nitrile Rubber | | |
| Bearing | Lower Bearing | | Deep Groove Ball Bearing | | |
| | Upper Bearing | | Deep Groove Ball Bearing | | |
| Remarks | s | | | | |

| Materials / Weight | | | |
|--------------------|------------------------|---------|-----------------|
| Suction strainer | Stainless steel 1.4301 | Bolts | Stainless steel |
| Motor housing | Stainless steel 1.4301 | O-Rings | Nitrile Rubber |
| Pump housing | Stainless steel 1.4301 | | |
| Impeller | Stainless steel 1.4301 | | |
| Motor shaft | Stainless steel 1.4305 | | |
| Weight aggregat | 22 kg | | |

| | | | |
|---------|--------------|-------------|------------|
| Project | Project no.: | Created by: | Page: 4 |
|---------|--------------|-------------|------------|