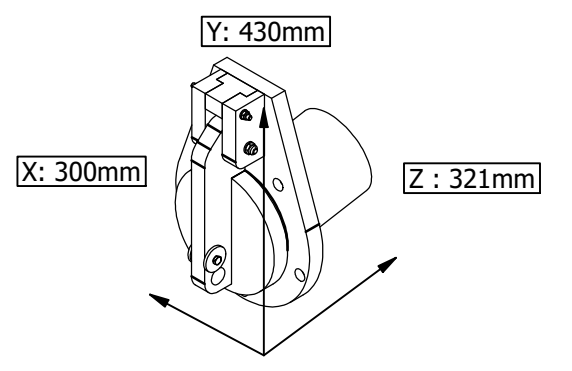
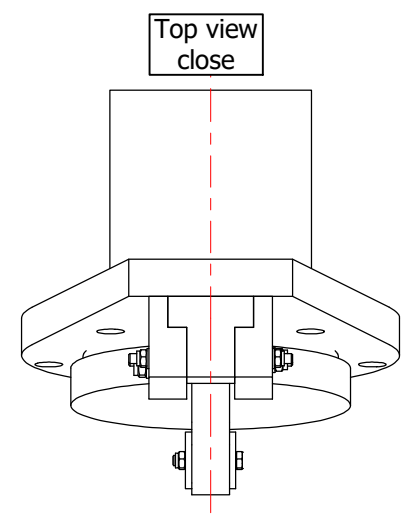


# ATK-S Ø160

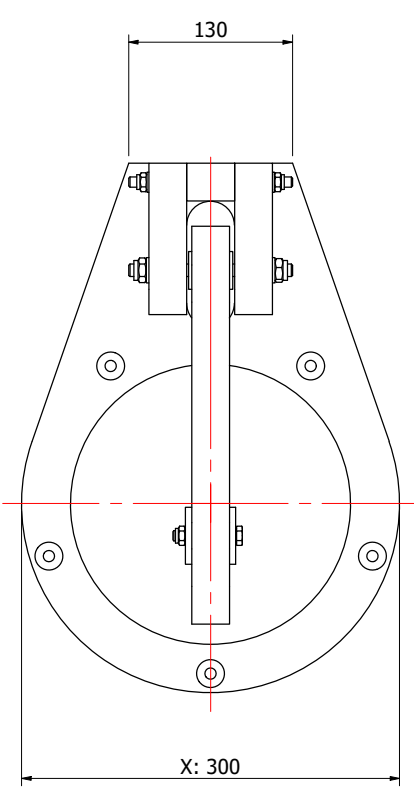


Front view close

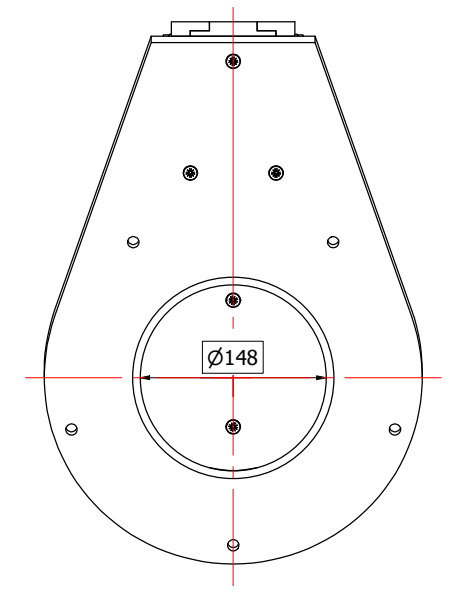
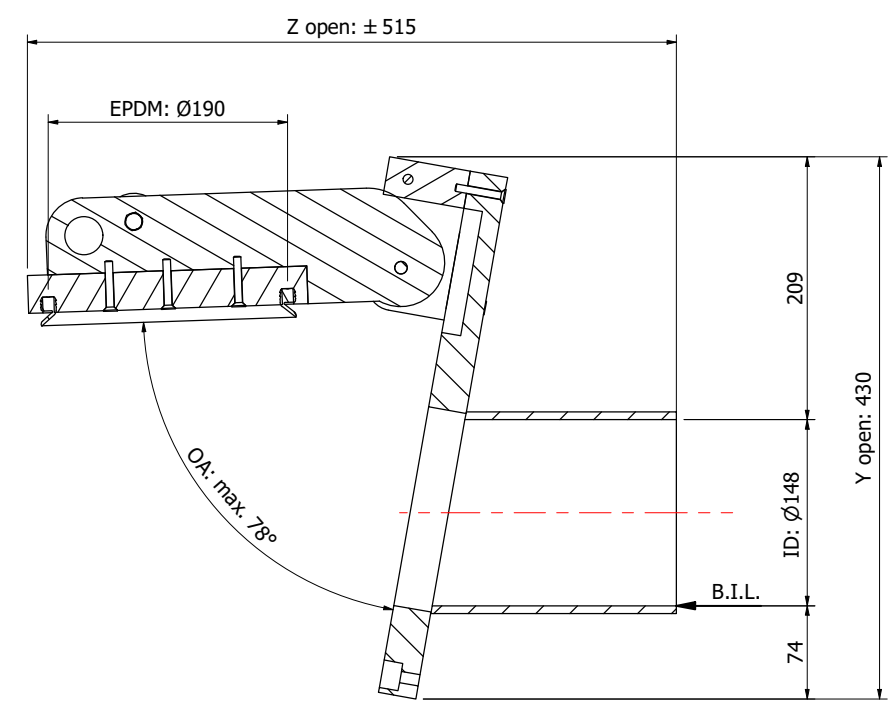
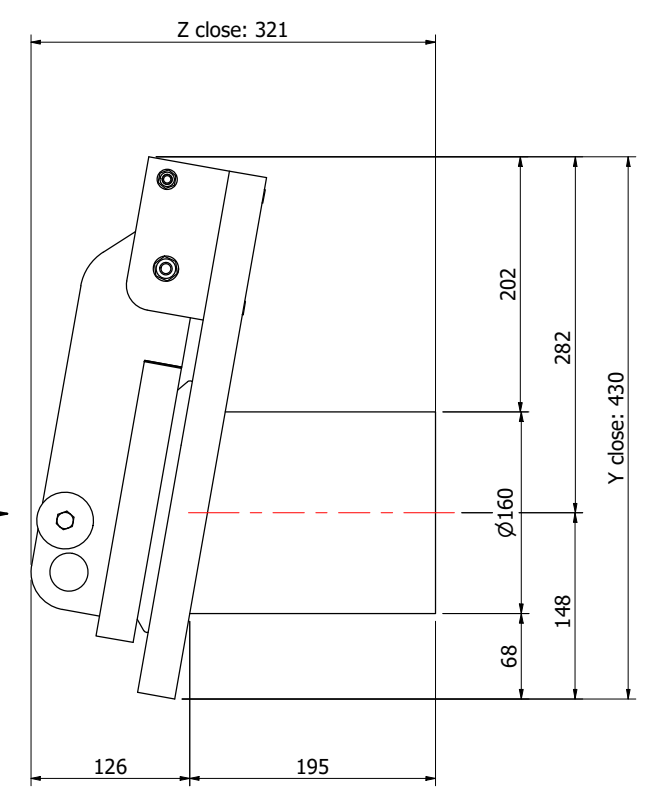
Side view close

Side view open

Back view close



on-seating →



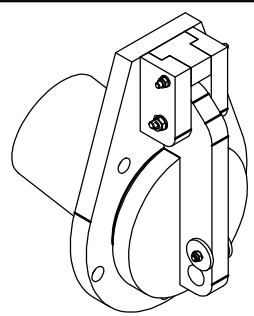
Linear dimensions tolerances acc. to: NEN-ISO 2768-c/ Laser cut dimensions tolerances acc. to ISO 9013-1

Please refer to our installation manual for more detailed information regarding wall mounting

Name: \_\_\_\_\_

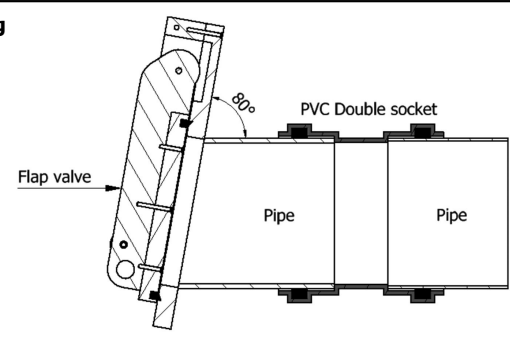
Date: \_\_\_\_\_

Signed for agreement: \_\_\_\_\_



**Opening ID: Ø148mm**  
 Material: HDPE, SS316, EPDM  
 Max load from bottom invert level (B.I.L.)  
 1.16 MWC long period (= 50 years)  
 5.0 MWC short period (= 72 hours)  
 Synthetic rubber (EPDM)  
 Opening Angle (OA)  
 Inner diameter (ID)  
 Outer diameter (OD)  
 All dimensions in mm

**Mounting detail**



**AQUAFIX MILIEU**  
 Postbus 288 3640 AG Mijdrecht  
 T: +31 (0)297 - 26 29 29  
 F: +31 (0)297 - 26 12 72  
 E: info@aquafix.nl  
 W: www.aquafix.nl

Flap valve ATKS Ø160 - HDPE/SS316L				Rev.: 1
Model: Spigot socket/coupling mount 10° (S)				17/7/2023
Articlenr.: 670ATK0160S				± 4,8 kg
Des.: DG	Date: 9/4/2020	Scale: 1:6	Size: A3	Dwg. nr.: ATKS1900173
				Sheet: 3

**Dimensions:** The stated dimensions are approximate. Nominal sizes are given in mm. We advise you to measure the materials immediately after delivery before proceeding to installation. No rights may be derived from the measurements in this drawing. **Copyright:** This drawing remains the exclusive property of Aquafix Milieu BV. No part of this drawing may be copied, reproduced or made available without the express consent of Aquafix Milieu BV.

