

Technical Information

V1346-D44



AQUAFIX BELGIUM BVBA
Tel. 013 66 83 03, WWW.AQUAFIX.BE



AQUAFIX MILIEU B.V.
Tel. 0297 26 29 29, WWW.AQUAFIX.NL

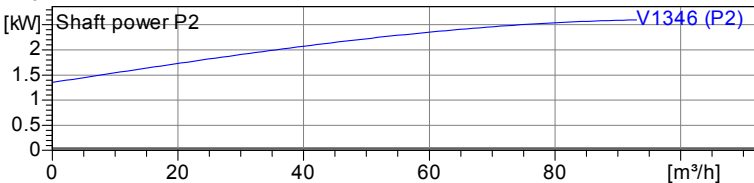
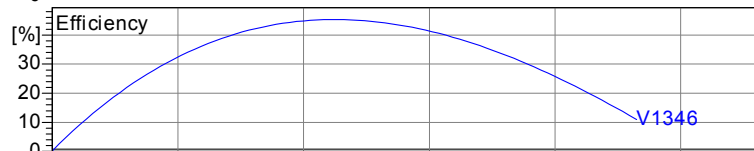
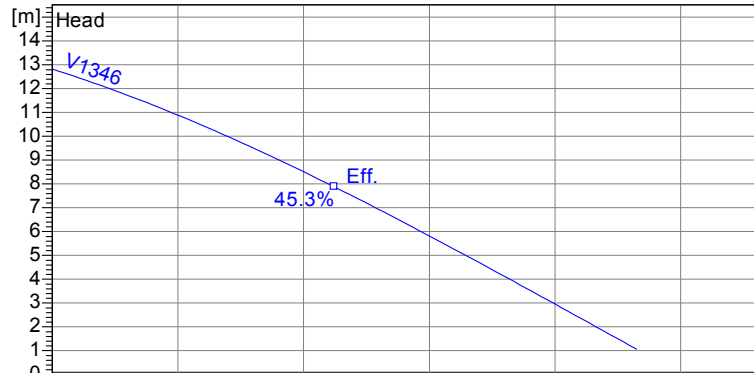
Operating data	
Flow	0 m ³ /h
Head	0 m
Shaft power P2	
Pump efficiency	s %
Required pump NPSH	
Pumpe type	Single head pump
No. of pumps	1
Fluid	Water, clean

Pump	
Pump Code	V1346-D44
Impeller	Vortex impeller
Impeller size	230 mm
Solid size	80 mm
Discharge port	DN80
Suction port	DN100

Motor	
Rated voltage	400 V
Frequency	50 Hz
Rated power P2	2.6 kW
Rated speed	1450 rpm
Number of poles	4
Efficiency	76 %
Rated current	6.2 A
Degree of protection	IP 68

Materials	
Motor housing	Grey cast iron EN-GJL-250
Impeller	Grey cast iron EN-GJL-250
Pump housing	Grey cast iron EN-GJL-250
Motor shaft	Stainless steel 1.4104
Bolts	Stainless steel
Elastomeres	Nitrile Rubber
Mechanical seal on motor side	SiC / SiC
Mechanical seal on medium side	SiC / SiC
Lower Bearing	Double row angular ball bearing
Upper Bearing	Deep Groove Ball Bearing

Testnorm: ISO9906 Sect. 4.4.2



Wet well installation with coupling kit (44-46, D)
Dimensions in mm,

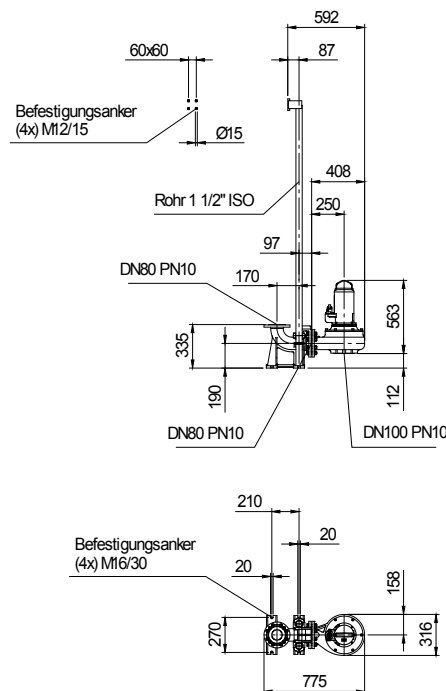


Table Dimensions (mm)

2.3.7 - 14/03/2012 (Build 345)

Project	Project no.:	Created by:	Page: 1
---------	--------------	-------------	------------

Performance Curve

V1346-D44



AQUAFIX BELGIUM BVBA
Tel. 013 66 83 03, WWW.AQUAFIX.BE



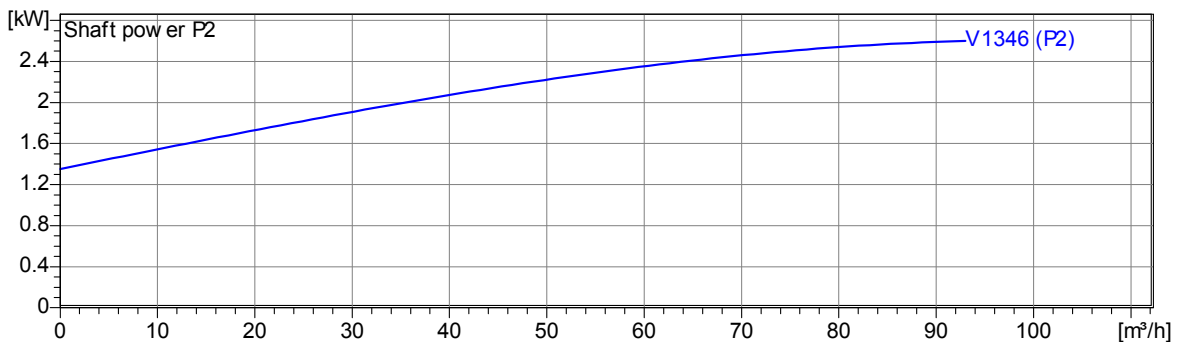
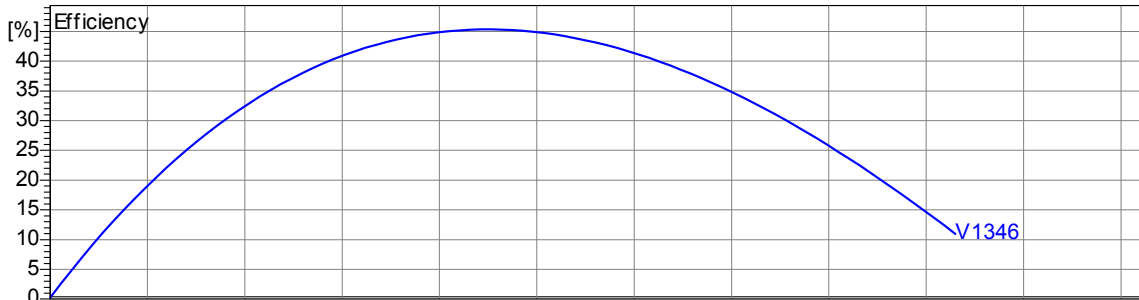
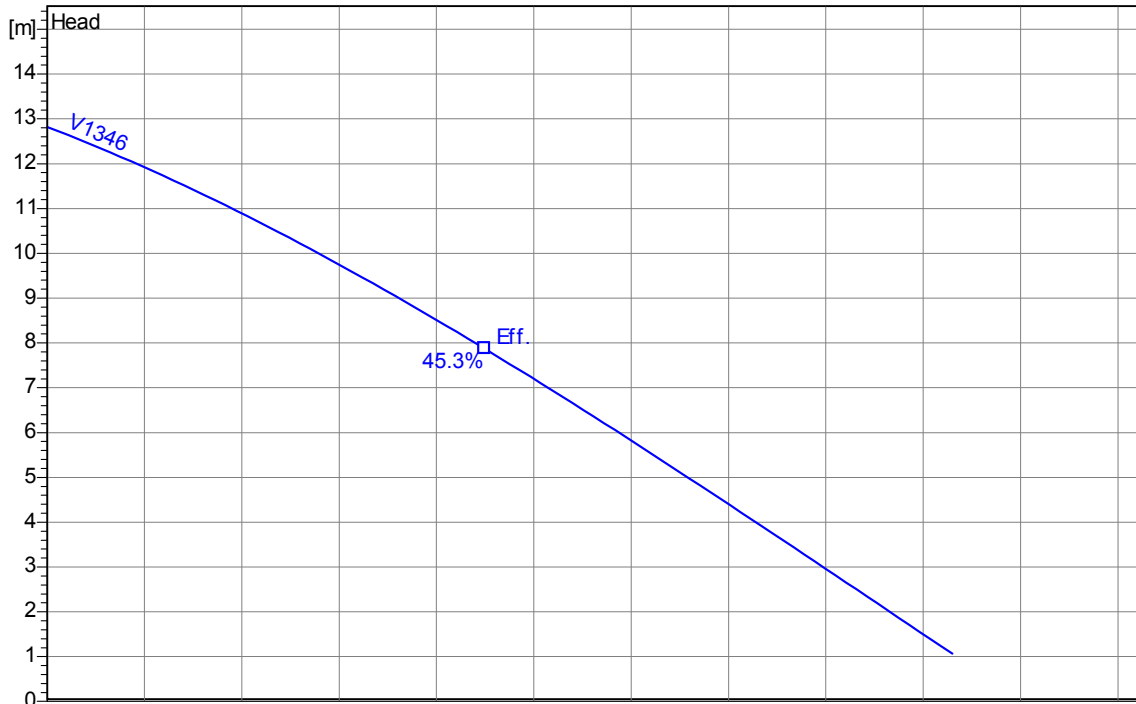
AQUAFIX MILIEU B.V.
Tel. 0297 26 29 29, WWW.AQUAFIX.NL

Impeller						
Impeller type: Vortex impeller	Solid size 80 mm	Ø:	Max. Ø: 230 mm	Min. Ø: 220 mm	Sel. Ø: 230 mm	

Operating data					
Speed: 1450 rpm	Frequency: 50 Hz	Duty point: Q = 0 m³/h	H = 0 m	Shaft power P2:	Discharge port: DN80

Power data referred to:
Water, clean [100%]; 20°C; 998.3kg/m³; 1.005mm²/s

Testnorm: ISO9906 Sect. 4.4.2



2.3.7 - 14/03/2012 (Build 345)

Project	Project no.:	Created by:	Page: 2
---------	--------------	-------------	------------

Dimensions

V1346-D44



AQUAFIX BELGIUM BVBA
Tel. 013 66 83 03, WWW.AQUAFIX.BE



AQUAFIX MILIEU B.V.
Tel. 0297 26 29 29, WWW.AQUAFIX.NL

Wet well installation with coupling kit (44-46, D)
Dimensions in mm, le

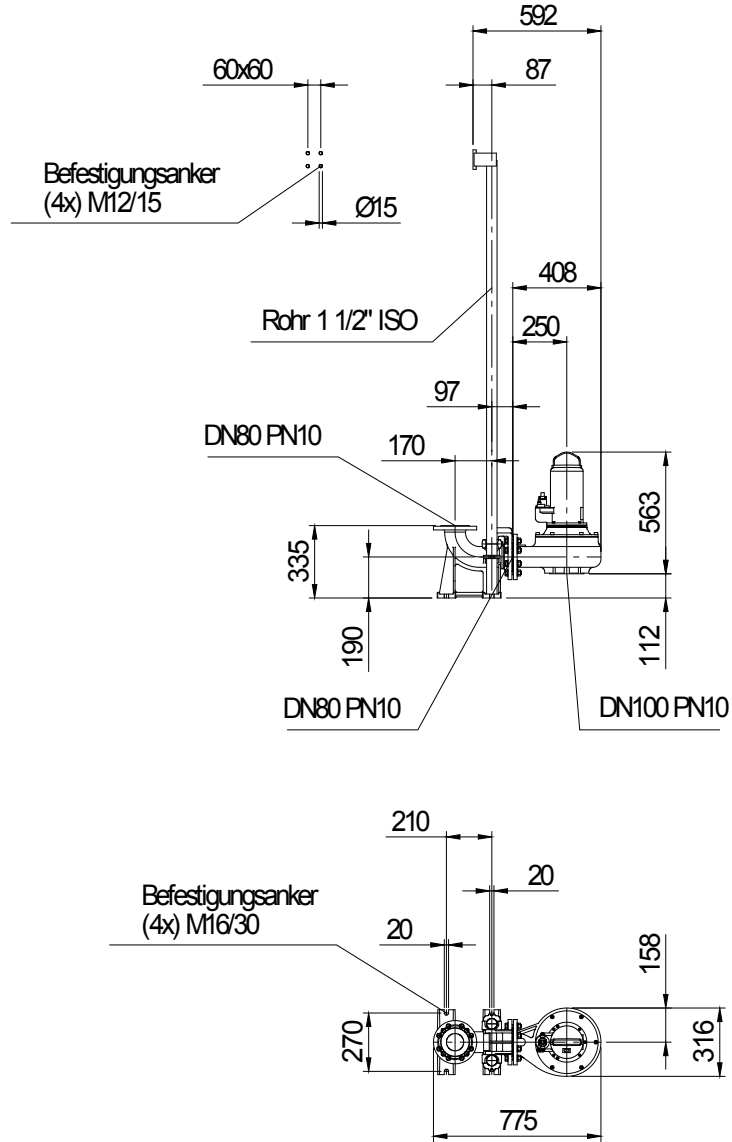


Table Dimensions (mm)

--	--	--

2.3.7 - 14/03/2012 (Build 345)

Project	Project no.:	Created by:	Page: 3	Date: 26/05/2014
---------	--------------	-------------	------------	---------------------

Technical Data

V1346-D44



AQUAFIX BELGIUM BVBA
Tel. 013 66 83 03, WWW.AQUAFIX.BE



AQUAFIX MILIEU B.V.
Tel. 0297 26 29 29, WWW.AQUAFIX.NL

Operating data					
Flow	0 m ³ /h	m ³ /h	Head	0	m
Shaft power P2		kW	Geodetic head	0	m
Pump efficiency	s	%	Required pump NPSH		m
Pumpe type	Single head pump		No. of pumps	1	
Fluid	Water, clean		Temperature	20 °C	
Density	998.3	kg/m ³	Kin. viscosity	1.005	mm ² /s

Pump					
Pump Code	V1346-D44		Speed	1450	rpm
Suction port	DN100		Head	Max.	12.8 m
Discharge port	DN80			Min.	1.1 m
Impeller type	Vortex impeller		Flow	Max.	93.0 m ³ /h
Solid size	80	mm	Pump efficiency max.	45.3 %	
Impeller Ø	230	mm	Required rated power max. P2	2.6	kW

Motor					
Motor version	Submersible motor		Insulation class	H	
Motor name	AM 136.3,4/4 D		Degree of protection	IP 68	
Frequency	50	Hz	Temperature class		
Rated power P1	3.4	kW			
Rated power P2	2.6	kW	Explosion protection		
Rated speed	1450	rpm	Efficiency at % rated power	100%	76 %
Rated voltage	400	V 3~		75%	78 %
Rated current	6.2	A		50%	78 %
Starting current, direct starting	35.9	A	cos phi at % rated power	100%	0.80
Starting current, star-delta	12	A		75%	0,74
Starting mode	Directly			50%	0,60
Power cable	7G1,5		Control cable		
Type of power cable	H07RN-F		Type of control cable		
Cable length	10 m		Service factor	1.15	
Shaft seal	Mechanical seal on motor side		SiC / SiC		
	Mechanical seal on medium side		SiC / SiC		
Bearing	Lower Bearing		Double row angular ball bearing		
	Upper Bearing		Deep Groove Ball Bearing		
Remarks	s				

Materials / Weight			
Motor housing	Grey cast iron EN-GJL-250	Bolts	Stainless steel
Pump housing	Grey cast iron EN-GJL-250	Elastomeres	Nitrile Rubber
Impeller	Grey cast iron EN-GJL-250		
Motor shaft	Stainless steel 1.4104		
Weight aggregat	66 kg		

Project	Project no.:	Created by:	Page: 4
---------	--------------	-------------	------------